

# Kaiser 1 (H306)

## PARTS CATALOG

3rd edition, January 12002

Ricoh Company, LTD.

**Kaiser 1 (H306)**

**PARTS CATALOG**

This catalog gives the numbers and names of parts on this machine.

**CONTENTS**

Kaiser 1	(H306)
PFU	(H110)
ISDN	(H143)
Printer	(H144)
Internet Fax	(H132)
SG3	(H133)
PCFE	(H144)

**Kaiser 1 (H306)**

## Kaiser 1 (H306)

### PARTS CATALOG

This catalog gives the numbers and names of parts on this machine.

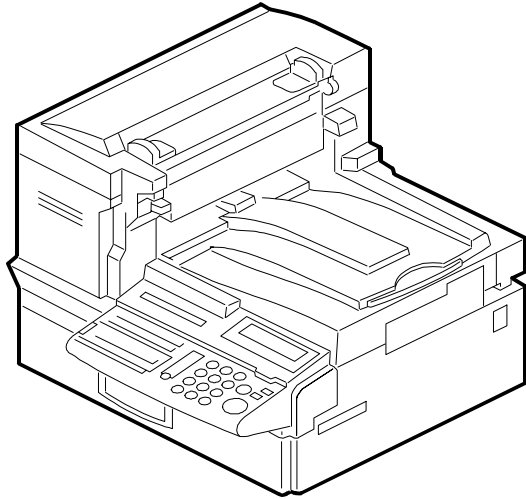
### CONTENTS

<b>LOCATION OF UNIT .....</b>	<b>2</b>	17.DRIVESECTION2(H306).....	38
1.EXTERIOR (H306) .....	6	18.ELECTRICALSECTION1 (H306) .....	40
2.OPERATIONPANEL(H306) .....	8	19.ELECTRICALSECTION2 (H306) .....	42
3.ADF UNIT 1(H306) .....	10	20.FRAMESECTION1(H306) .....	44
4.ADF UNIT 2(H306) .....	12	21.FRAMESECTION2(H306) .....	46
5.ADF UNIT 3(H306) .....	14	22.FCU BOARD NA/TWN (H306) .....	48
6.ADF UNIT 4(H306) .....	16	23.FCU BOARD EU (H306) .....	56
7.OPTICSSECTION1(H306) .....	18	24.NCU BOARD NA (H306) .....	66
8.OPTICSSECTION2(H306) .....	20	25.NCU BOARD EU (H306) .....	68
9.LASERUNIT(H306) .....	22	26.DECALANDDOCUMENT(H306) .....	70
10.VERTICALTRANSPORT(H306) .....	24	27.SPECIAL TOOLS(H306) .....	72
11.TRANSFERSECTION(H306) .....	26	<b>PARTS INDEX.....</b>	<b>75</b>
12.PAPERTRAY(H306).....	28		
13.PAPERREGISTRATION(H306) .....	30		
14.FUSING UNIT 1(H306) .....	32		
15.FUSING UNIT 2(H306) .....	34		
16.DRIVESECTION1(H306) .....	36		

January ,7 ' 2002

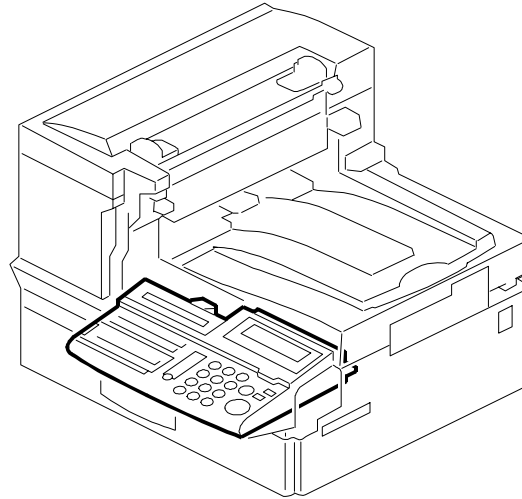
## LOCATIONS OF UNITS

1. EXTERIOR (H306)



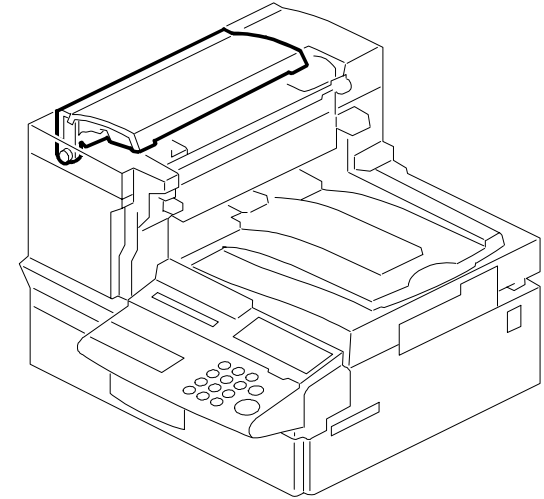
See Page 7

2. OPERATIONPANEL(H306)



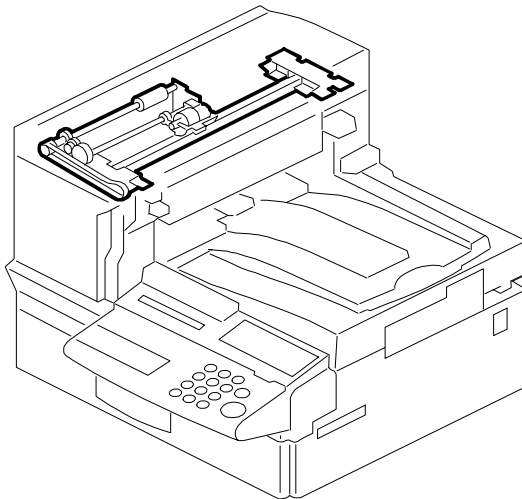
See Page 9

3. ADF UNIT 1(H306)



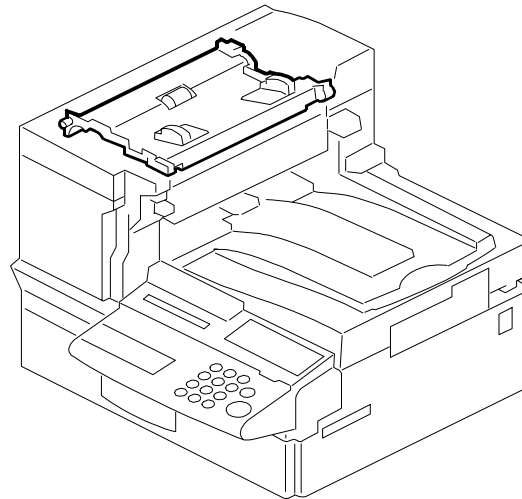
See Page 11

4. ADF UNIT 2(H306)



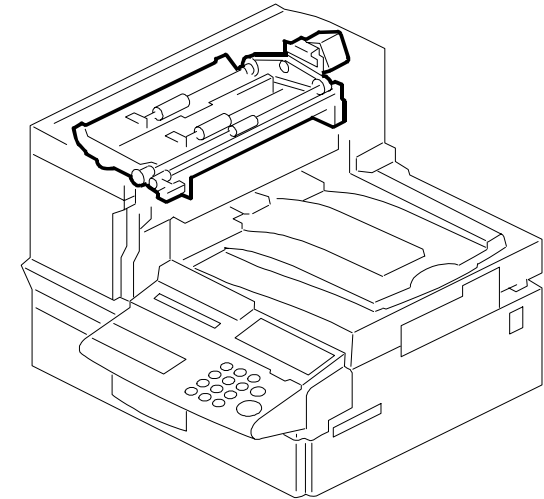
See Page 13

5. ADF UNIT 3(H306)



See Page 15

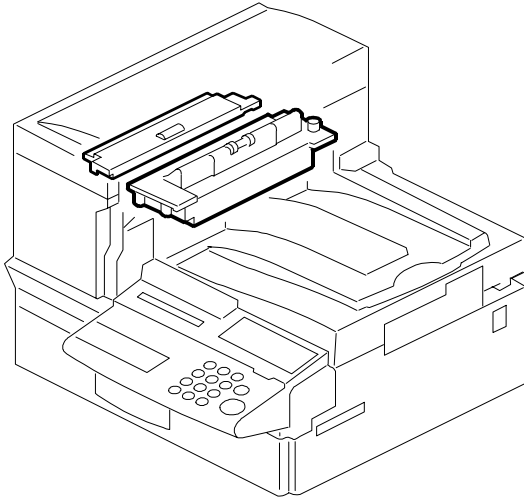
6. ADF UNIT 4(H306)



See Page 17

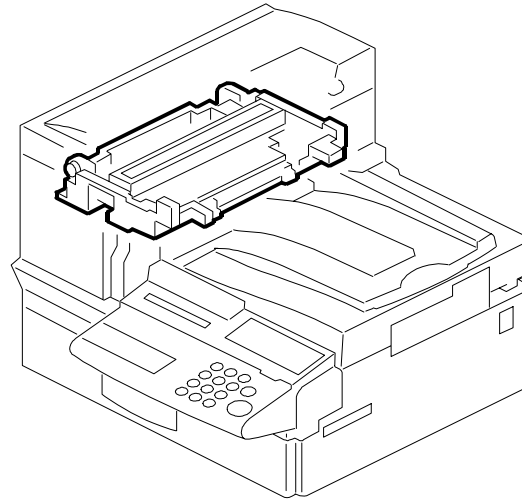
## LOCATIONS OF UNITS

7. OPTICSSECTION1(H306)



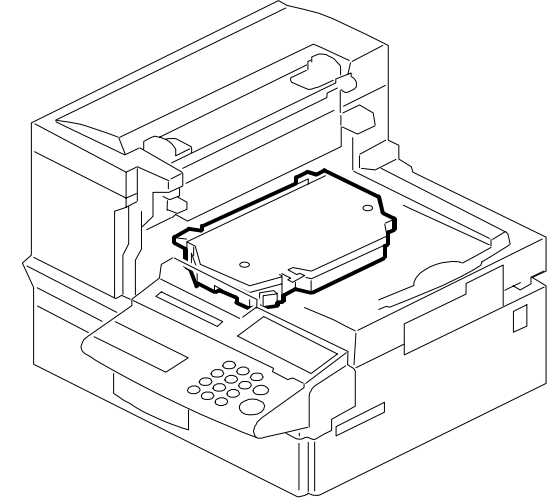
See Page 19

8. OPTICSSECTION2(H306)



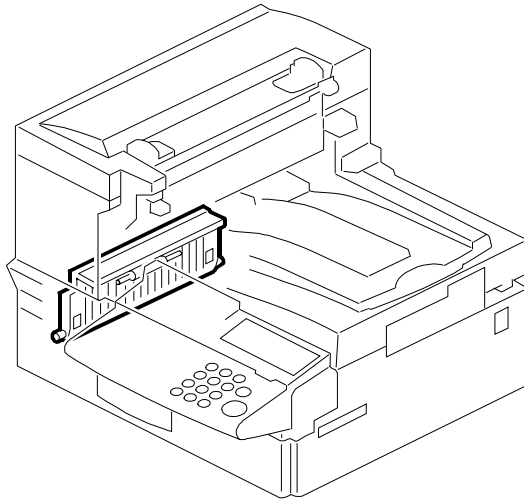
See Page 21

9. LASERUNIT(H306)



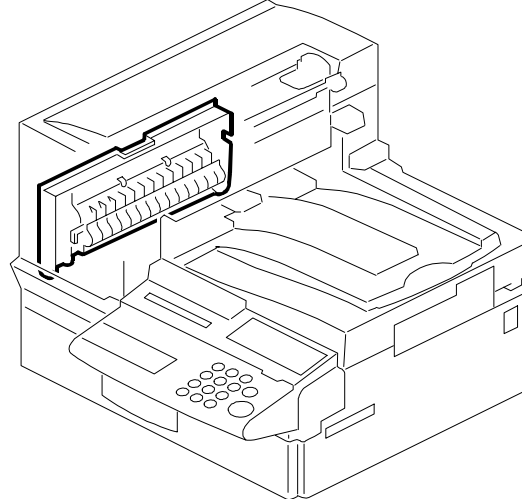
See Page 23

10. VERTICALTRANSPORT(H306)



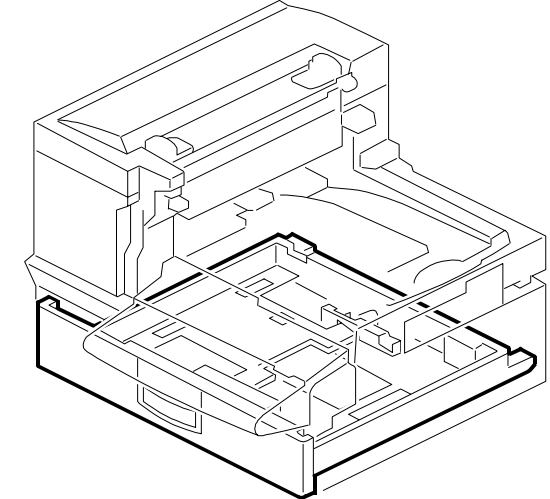
See Page 25

11. TRANSFERSECTION(H306)



See Page 27

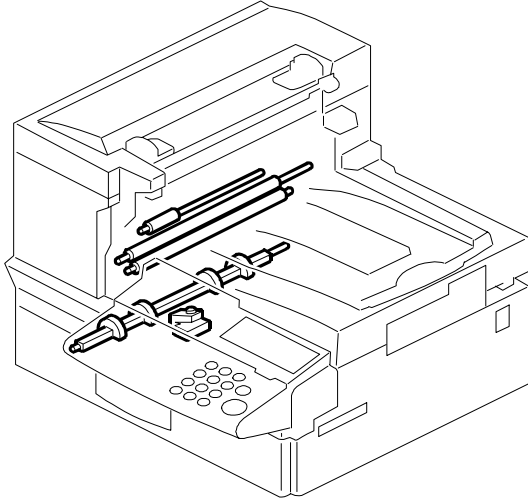
12. PAPERTRAY(H306)



See Page 29

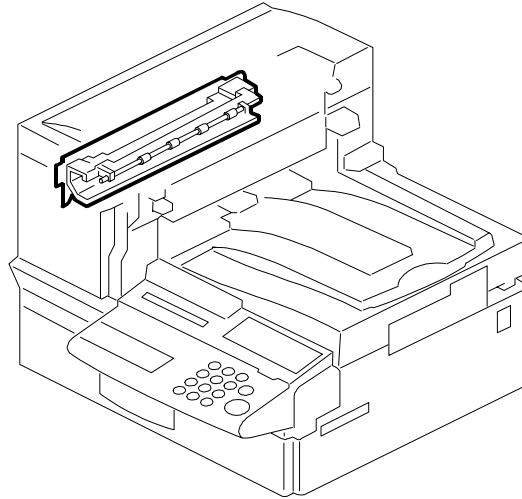
## LOCATIONS OF UNITS

13. PAPERREGISTRATION(H306)



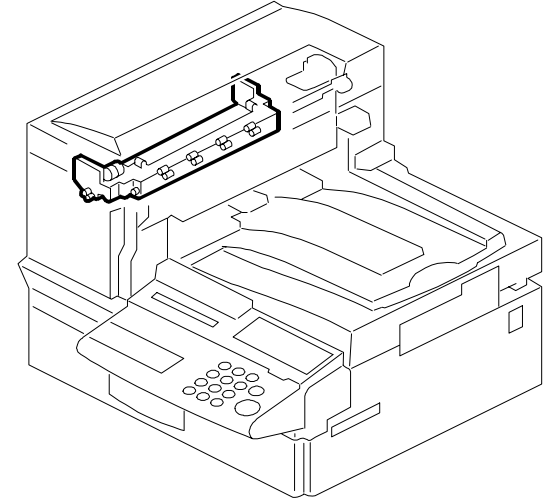
See Page 31

14. FUSING UNIT 1(H306)



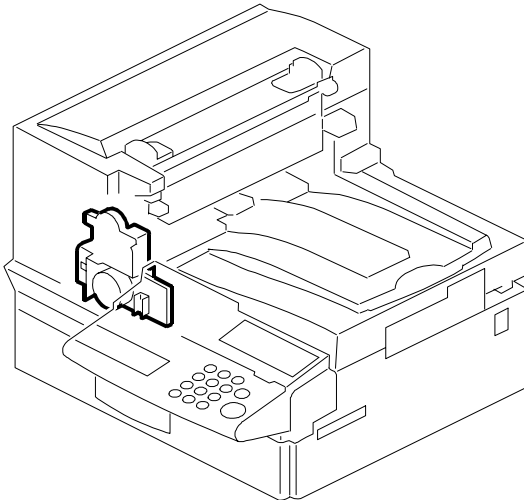
See Page 33

15. FUSING UNIT 2(H306)



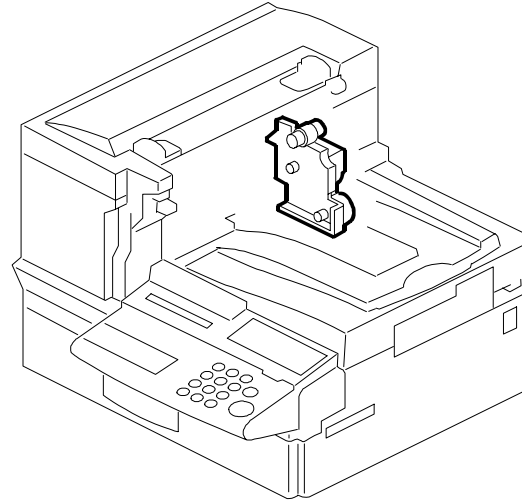
See Page 35

16. DRIVESECTION1(H306)



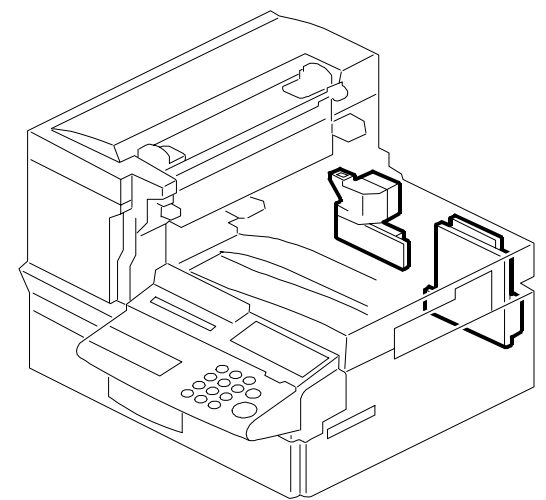
See Page 37

17. DRIVESECTION2(H306)



See Page 39

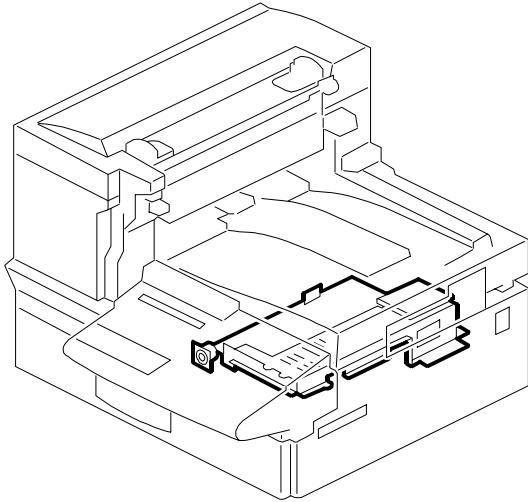
18. ELECTRICALSECTION1 (H306)



See Page 41

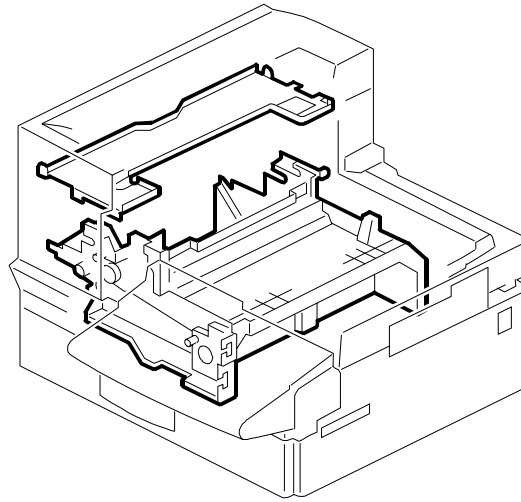
## LOCATIONS OF UNITS

19. ELECTRICALSECTION2 (H306)



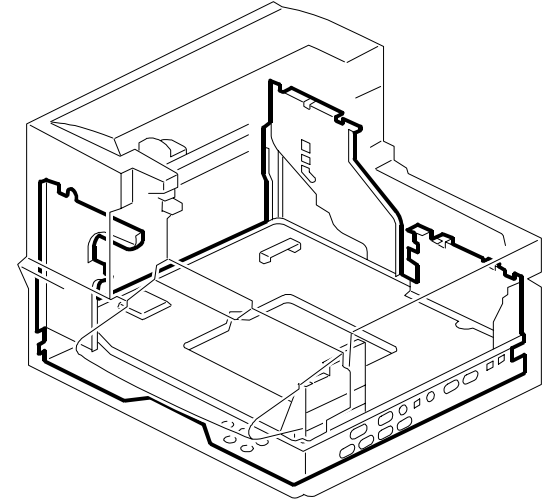
See Page 43

20. FRAMESECTION1(H306)



See Page 45

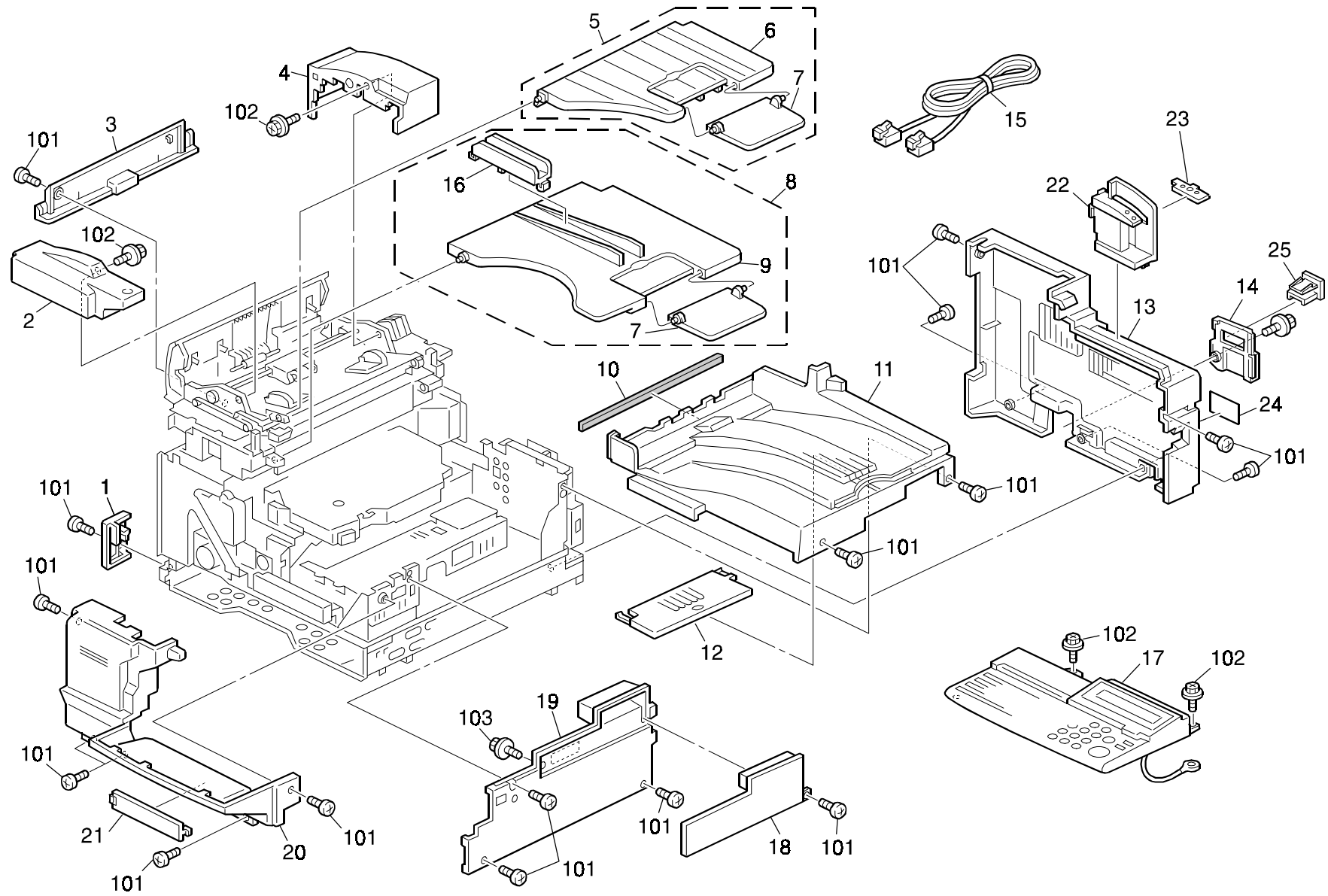
21. FRAMESECTION2(H306)



See Page 47



# 1.EXTERIOR (H306)

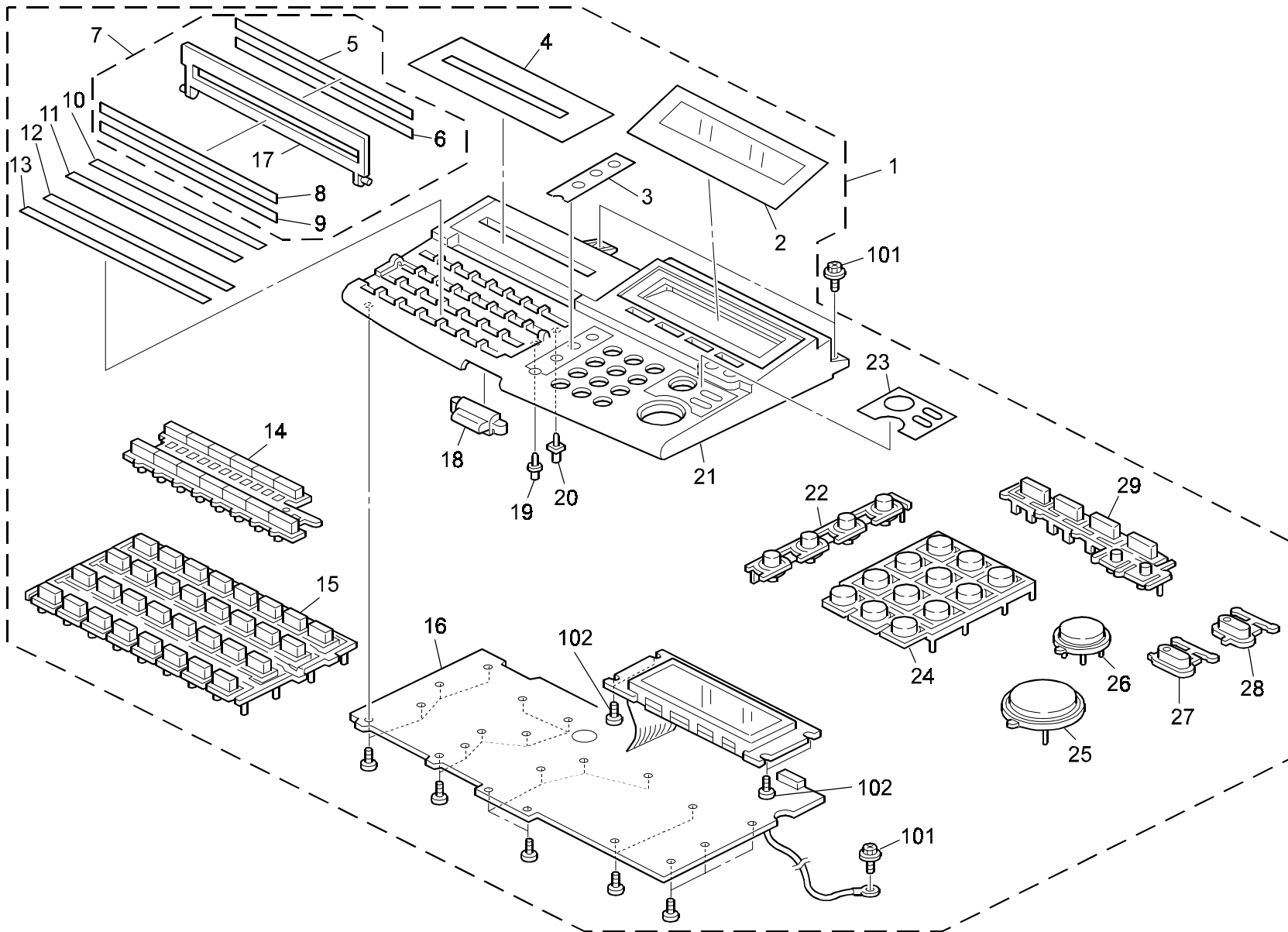


## 1.EXTERIOR (H306)

Index No.	Part No.	Description	Q'ty Per Assembly
1	H306 4059	Left Lower Cover	1
2	H306 4056	ADF Front Cover	1
3	H306 4055	Left Upper Cover	1
4	H306 4057	ADF Rear Cover	1
5	H306 4703	Original Tray Ass'y	1
6	H306 4704	Original Tray	1
7	H519 1580	Original Guide	2
8	H306 4790	Exit Tray Ass'y	1
9	H519 1183	Exit Tray	1
10	H306 3174	Fusing Cover Shield	1
11	H306 4053	Upper Cover	1
12	H306 4061	Auxiliary Tray	1
13	H306 4052	Rear Cover	1
14	H306 4060	Paper Feed Cover	1
15	H523 5350	Telephone Cable	1
16	H306 1110	Exit Tray Guide	2
17	H306 4408	Operation Panel Ass'y (NA)	1
17	H306 4409	Operation Panel Ass'y (NA OEM)	1
17	H306 4410	Operation Panel Ass'y (EU)	1
17	H306 4411	Operation Panel Ass'y (ASIA)	1
17	H306 4412	Operation Panel Ass'y (TWN)	1
18	H306 4064	PIF Cover	1
19	H306 4054	Right Cover	1
20	H306 4067	Front Cover	1
21	H306 4058	Option Cover	1
22	H306 4715	Hand Set Bracket	1
23	H306 4702	Hand Set Bracket 2	1
24	AA00 0542	Decal - Laser Class 1	1
24	H306 4109	Decal - Laser Class 1 (TWN)	1
25	H504 4901	Cap - Telephone Socket (EU)	2

Index No.	Part No.	Description	Q'ty Per Assembly
101	0453 3008H	Binding Self Tapping Screw - M3x8	
102	0451 3008H	Tapping Screw - 3x8	
103	0450 3006B	Tapping Screw - M3x6	

## 2. OPERATION PANEL (H306)



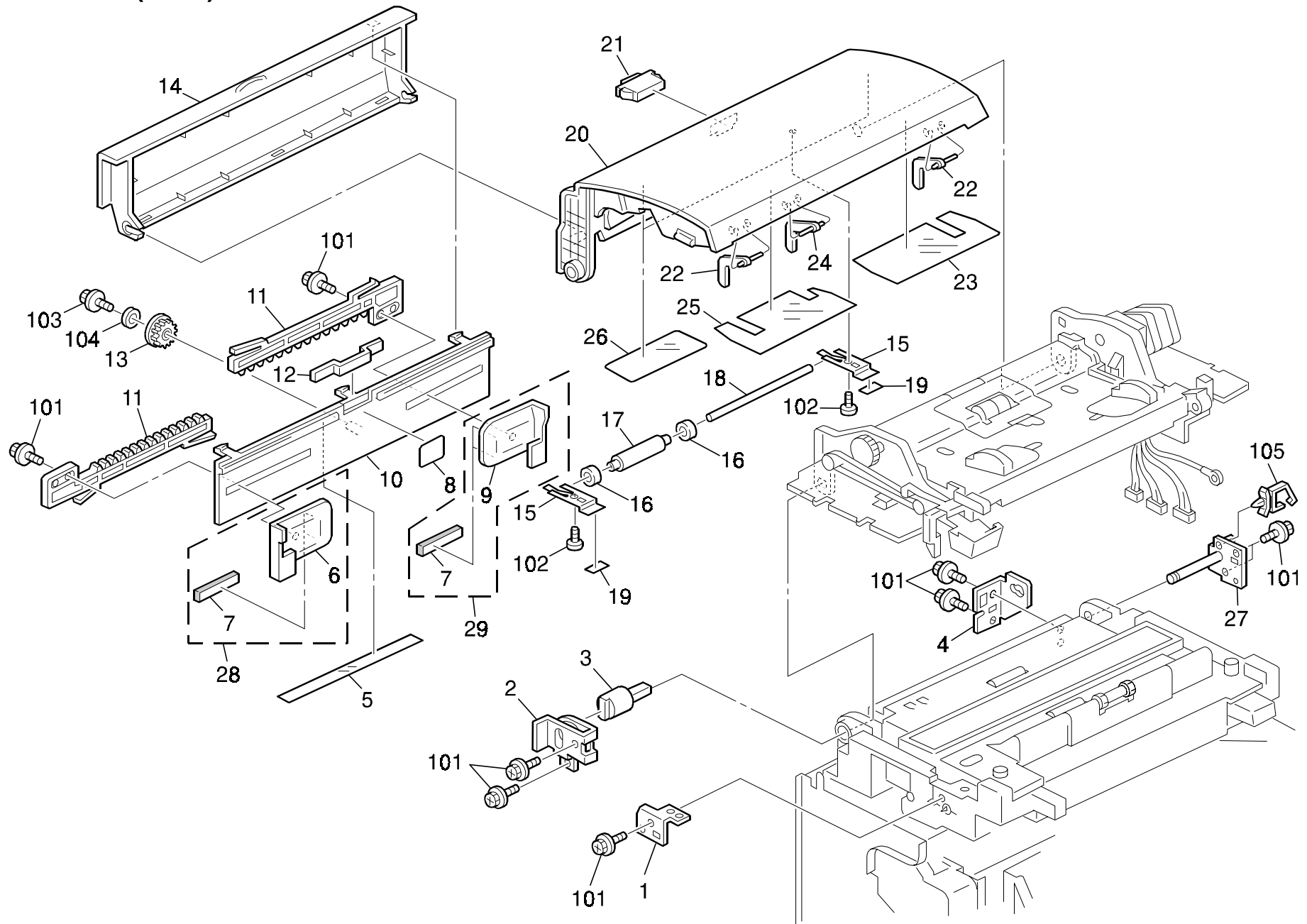
## 2.OPERATIONPANEL(H306)

Index No.	Part No.	Description	Q'ty Per Assembly
1	H306 4408	Operation Panel Ass'y (NA)	1
1	H306 4409	Operation Panel Ass'y (NA OEM)	1
1	H306 4410	Operation Panel Ass'y (EU)	1
1	H306 4411	Operation Panel Ass'y (ASIA)	1
1	H306 4412	Operation Panel Ass'y (TWN)	1
2	H306 4464	LCD Decal (SVN)	1
2	H306 4465	LCD Decal (GES)	1
2	H306 4450	LCD Decal (RIC)	1
2	H306 4466	LCD Decal (EU/Asia/TWN)	1
2	H306 4469	LCD Decal (INF)	1
2	H306 4470	LCD Decal (NSA)	1
2	H306 4471	LCD Decal (REX)	1
3	H306 4474	Clear Decal	1
3	H306 4484	Clear Decal (TWN)	1
4	H306 4473	Operation Decal	1
4	H306 4483	Operation Decal - TWN	1
5	H306 4453	Dial Sheet 3	1
6	H306 4454	Dial Sheet 4	1
7	H306 4449	Quick Dial Plate	1
8	H306 4455	Dial Sheet 5	1
9	H306 4456	Dial Sheet 6	1
10	H306 4451	Dial Sheet 1	1
11	H306 4452	Dial Sheet 2	1
12	H306 4457	Dial Sheet 7	1
13	H306 4458	Dial Sheet 8	1
14	H306 4438	Keytop - Function	1
15	H306 4439	Keytop - Dial	1
16	H306 6167	Operation Panel Board	1
17	H306 4436	Quick Dial Plate	1
18	H306 4437	Operation Panel Lens	1
19	H306 4477	Actuator 2 - Operation Panel	1
20	H306 4476	Actuator 1 - Operation Panel	1
21	H306 4435	Operation Panel Case	1
22	H306 4443	Keytop - Clear	1
23	H306 4472	Start Decal	1



Index No.	Part No.	Description	Q'ty Per Assembly
23	H306 4482	Start Decal - TWN	1
24	H306 4481	Keytop - 10key (NA)	1
24	H306 4478	Keytop - 10key (EU/TWN)	1
24	H306 4480	Keytop - 10key (Asia)	1
25	H306 4440	Keytop - Start	1
26	H306 4479	Keytop - Stop	1
27	H306 4446	Keytop - Copy	1
28	H306 4445	Keytop - Reset Switch	1
29	H306 4444	Keytop - LCD	1
101	0453 3008H	Binding Self Tapping Screw - M3x8	
102	0450 3006B	Tapping Screw - M3x6	

### 3.ADF UNIT 1(H306)

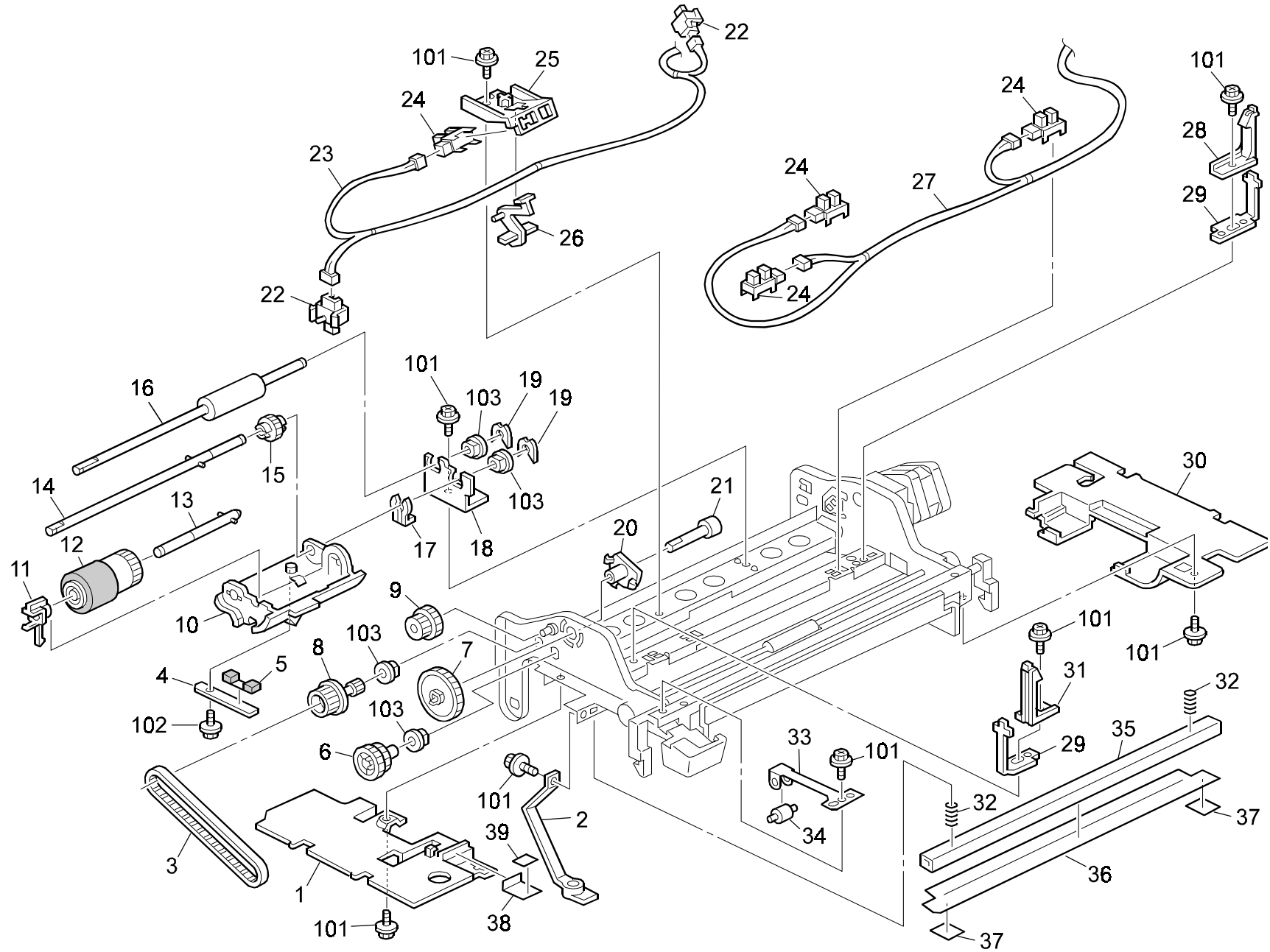


### 3.ADF UNIT 1(H306)

Index No.	Part No.	Description	Q'ty Per Assembly
1	H306 1099	Stopper Bracket	1
2	H306 1088	Front Bracket - Contact Point	1
3	H519 1176	Oil Dunper	1
4	H306 1104	Contact Point Bracket	1
5	G800 3073	Upper Seal	1
6	H519 1602	Guide Manual Feed Front	1
7	H519 1640	Side Fence Sheet	2
8	H306 1423	Decal - Manual Feed	1
9	H519 1623	By-pass Feed Guide	1
10	H519 1621	By-pass Feed Table	1
11	H519 1665	Side Fence Rack	2
12	H519 1607	Support Plate - By-pass Feed Table	1
13	AB01 3492	Gear - 16Z	1
14	H306 1303	Manual Feed Cover	1
15	H306 1318	Spring Plate - R0	2
16	H519 1572	R0 Roller Collar	2
17	H519 1660	R0 Pressure Roller	1
18	H519 1575	R0 Roller Shaft	1
19	H306 1319	Spring Plate Shield - R0	2
20	H306 1308	ADF Upper Cover	1
21	H306 1317	Cover Magnet	1
22	H306 1265	Paper Size Sensor Feeler	2
23	H306 1263	Rear Cover Sheet	1
24	H306 1264	S1 Feeler	1
25	H306 1262	Front Cover Sheet	1
26	H306 1268	R0 Sheet	2
27	H306 1089	Rear Bracket - Contact Point	1
28	H519 1750	Front Side Fence	1
29	H519 1751	Rear Side Fence	1

Index No.	Part No.	Description	Q'ty Per Assembly
101	0450 3008B	Tapping Screw - M3x8	
102	0452 3008B	Tapping Screw - M3x8	
103	0450 3006B	Tapping Screw - M3x6	
104	0807 4069	Washer - 6.2x12x0.4mm	
105	1105 0460	Clamp	

# 4.ADF UNIT 2(H306)



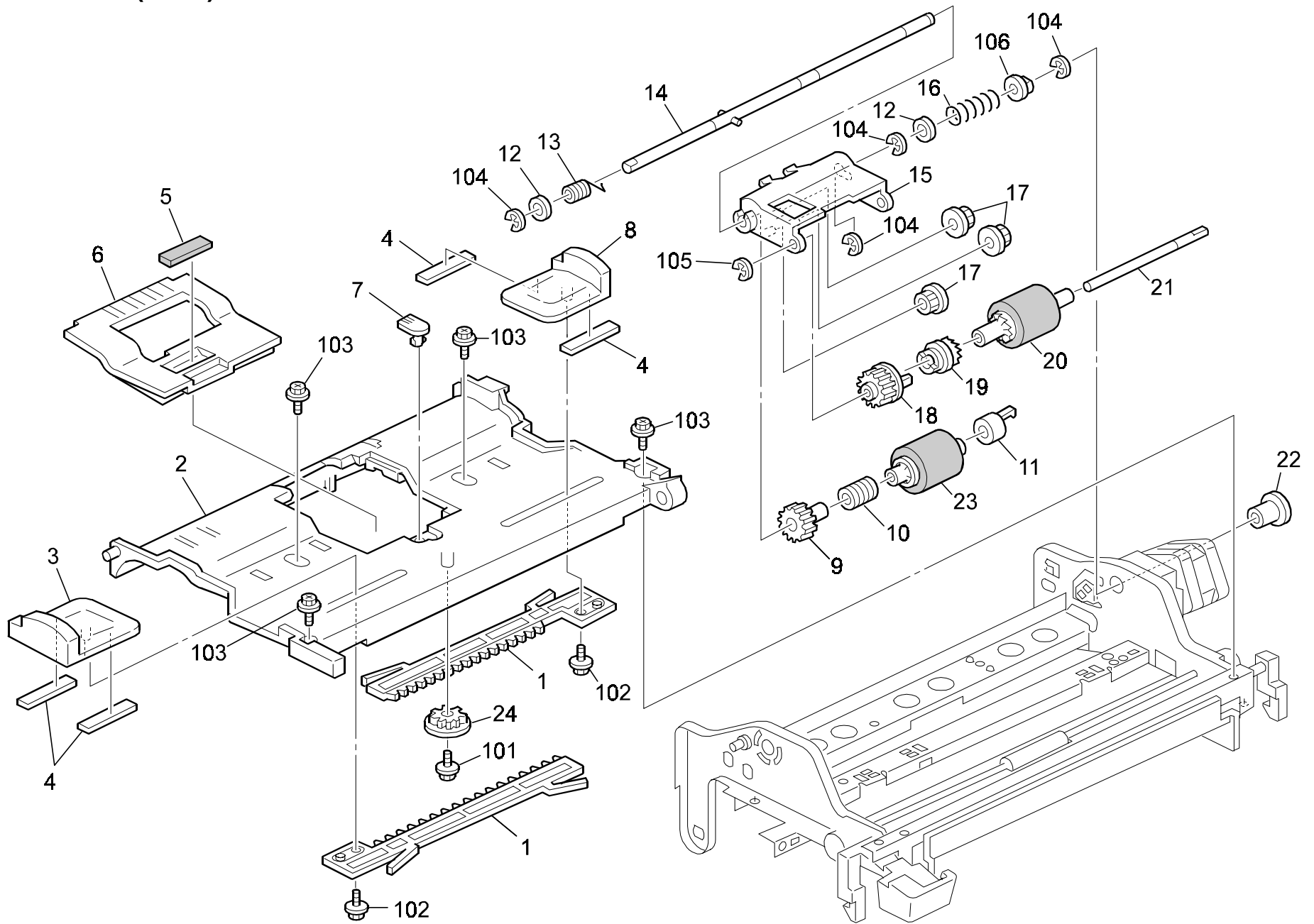
#### 4.ADF UNIT 2(H306)

Index No.	Part No.	Description	Q'ty Per Assembly
1	H306 1311	Front Lower Cover	1
2	H306 1100	Scanner Stopper	1
3	H306 1372	Front Timing Belt	1
4	H519 1592	Spring Plate	1
5	H519 1591	Pad - Reverse	1
6	H306 1357	Front Drive Gear	1
7	H306 1330	Front Torque Liner	1
8	H306 1355	R0 Pulley	1
9	H306 1356	Front Slow Down Gear	1
10	H306 1273	Separation Bracket	1
11	H306 1285	Reverse Roller Holder	1
12	<b>H306 1293</b>	<b>Reverse Roller</b>	<b>1</b>
13	H306 1275	Reverse Roller Shaft	1
14	H306 1369	Drive Shaft	1
15	H306 1358	Rear Drive Gear	1
16	H306 1294	R0 Roller	1
17	H006 2383	Snap Ring	1
18	H306 1258	R0 Bracket	1
19	H515 3543	E-ring - Jre4	2
20	H521 1290	Busing	1
21	H306 1329	Joint Shaft	1
22	H515 5018	Cover Switch - Fusing Exit	2
23	H306 5114	ADF Sensor Harness 2	1
24	H523 5003	Photointerrupter	4
25	H306 1287	S2 Bracket	1
26	H306 1286	S2 Feeler	1
27	H306 5113	ADF Sensor Harness 1	1
28	H306 1298	Rear Lock Cover	1
29	H306 1299	Lock Spring Plate	2
30	H306 1312	Rear Lower Cover	1
31	H306 1297	Front Lock Cover	1
32	H306 1314	Pressure Plate Spring	2
33	H306 1368	Spring Plate - Front Tightener	1
34	H516 1262	Roller - Belt Tensioning	1
35	H306 1269	Pipe	1

Index No.	Part No.	Description	Q'ty Per Assembly
36	H306 1281	Scanning Sheet	1
37	H306 1324	Exposure Glass Spacer	2
38	H306 1334	Sheet ADF Switch 1	1
39	H306 1335	Sheet ADF Switch 2	1
101	0451 3006B	Tapping Screw - M3x6	
102	0450 3008B	Tapping Screw - M3x8	
103	0805 3480	Bushing - 6mm	



# 5.ADF UNIT 3(H306)



## 5.ADF UNIT 3(H306)

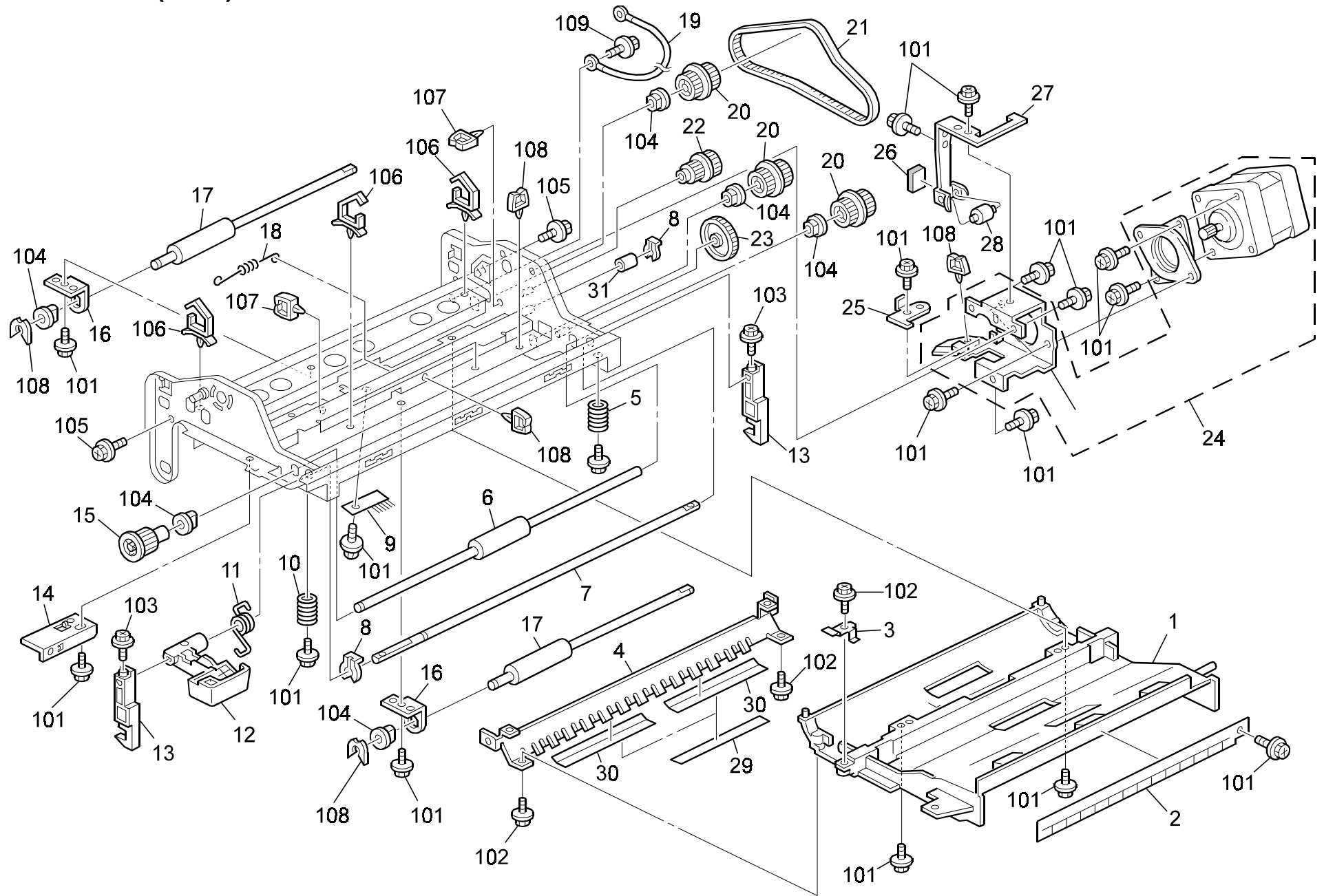


Index No.	Part No.	Description	Q'ty Per Assembly
1	H519 1665	Side Fence Rack	2
2	H306 1304	Upper Guide	1
3	H306 1306	Front Original Guide	1
4	H306 1316	Original Guide Sheet	4
5	H521 1350	Pad - Pick-up	1
6	H306 1305	Separation Cover	1
7	H306 1282	Separation Cover Stopper	1
8	H306 1307	Rear Original Guide	1
9	H521 1286	Gear - Feed Roller	1
10	H085 1514	Spring Clutch	1
11	H306 1288	Clutch Roller	1
12	H006 2316	Spacer - Pick-up Clutch	2
<b>13</b>	<b>H521 1314</b>	<b>Spring Clutch - M6</b>	<b>1</b>
14	H306 1370	Feed Shaft	1
15	H306 1274	Feed Bracket	1
16	H306 1320	Pressure Spring	1
17	H306 1361	Pickup Idler Gear	3
18	H521 1287	Gear - Pick-up Roller	1
19	H521 1288	Collar - Pick-up	1
<b>20</b>	<b>H306 1292</b>	<b>Pickup Roller</b>	<b>1</b>
21	H306 1276	Pickup Roller Shaft	1
22	H306 1261	Contact Point Bushing	1
<b>23</b>	<b>H306 1301</b>	<b>Feed Roller</b>	<b>1</b>
24	H306 1283	Original Tray Gear	1



Index No.	Part No.	Description	Q'ty Per Assembly
101	0450 3006B	Tapping Screw - M3x6	
102	0450 3008B	Tapping Screw - M3x8	
103	0451 3008H	Tapping Screw - 3x8	
104	0720 0040E	Retaining Ring - M4	
105	0720 0030E	Retaining Ring - M3	
106	0805 3480	Bushing - 6mm	

# 6.ADF UNIT 4(H306)



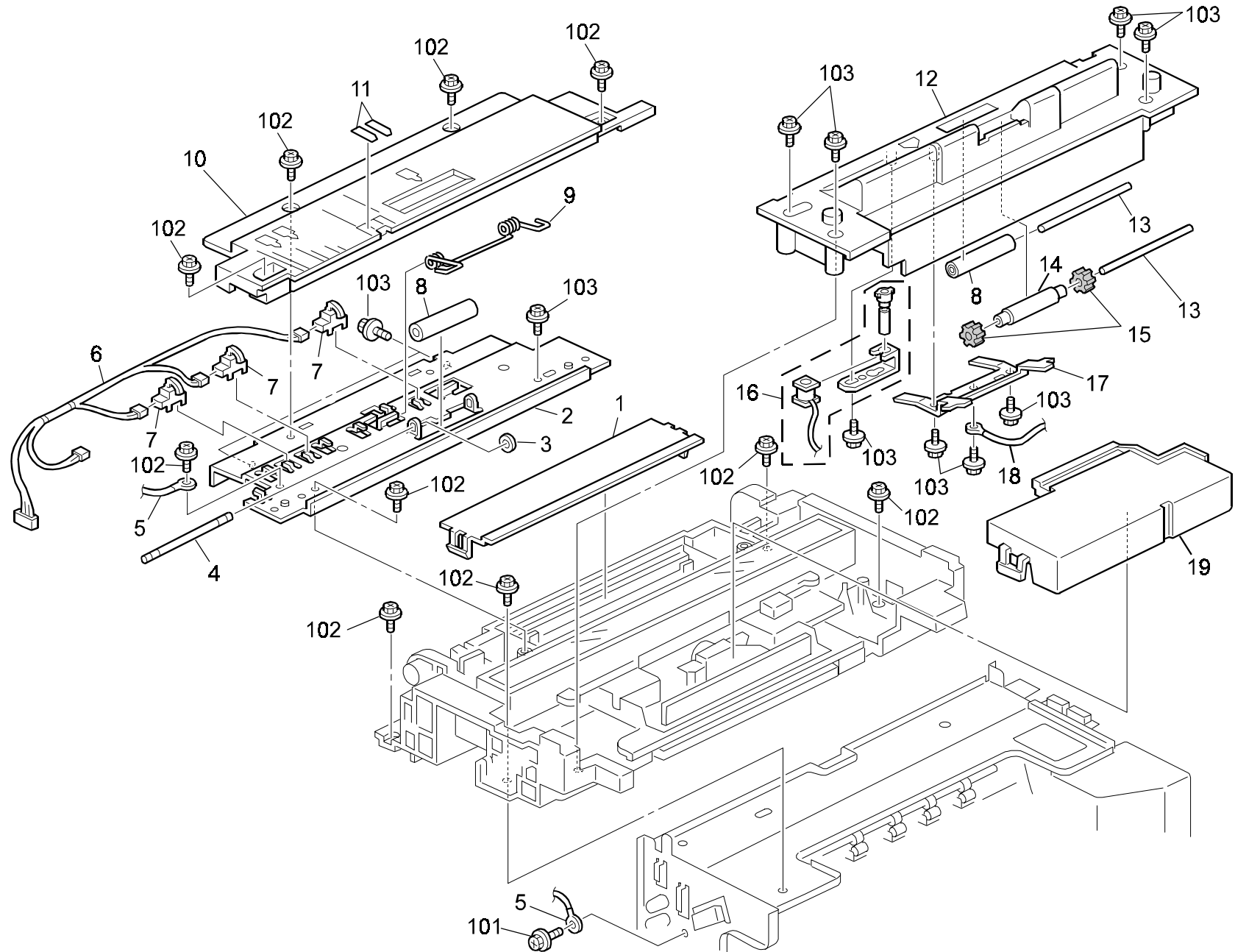
## 6.ADF UNIT 4(H306)

Index No.	Part No.	Description	Q'ty Per Assembly
1	H306 1309	ADF Lower Guide	1
2	H306 1278	Discharge Brush	1
3	H306 1277	Spring Plate	1
4	H306 1280	Reverse Guide Plate	1
5	H306 1272	Rear Release Spring	1
6	H306 1296	Exit Roller	1
7	H306 1267	Un Lock Shaft	1
8	H006 2383	Snap Ring	2
9	H306 1284	Discharge Brush	1
10	H306 1271	Front Release Spring	1
11	H306 1266	Un Lock Spring	1
12	H306 1310	Lock Lever	1
13	H519 1549	Front Lock Lever	2
14	H306 1289	Stopper Bracket	1
15	H306 1354	Exit Pulley	1
16	H306 1459	R1 Bracket	2
17	H306 1295	R1 Roller	2
18	H306 1315	Pressure Reverse Spring	1
19	H306 1279	Grounding Wire	1
20	H306 1352	R1 Pulley	3
21	H306 1371	Rear Timing Belt	1
22	H306 1360	Rear Slow Down Gear	1
23	H306 1353	Rear idler Gear	1
24	H306 1510	Stepper Motor Ass'y	1
25	H306 1475	Tightener Bracket	1
26	H306 1325	Rear Tightener Sheet	1
27	H306 1367	Spring Plate - Rear Tightener	1
28	H516 1262	Roller - Belt Tensioning	1
29	H306 1322	Reverse Plate Sheet	2
30	H306 1321	Reverse Guide Sheet	2
31	H306 1374	Bushing - 6x10mm	1

Index No.	Part No.	Description	Q'ty Per Assembly
101	0451 3006B	Tapping Screw - M3x6	
102	0450 3008B	Tapping Screw - M3x8	
103	0451 3008B	Tapping Screw - M3x8	
104	0805 3480	Bushing - 6mm	
105	0951 3004B	Philps Screw With Flat Washer -m3x4	
106	1105 0460	Clamp	
107	1105 0344	Clamp	
108	H515 3543	E-Ring - Jre4	



# 7.OPTICSSECTION1(H306)

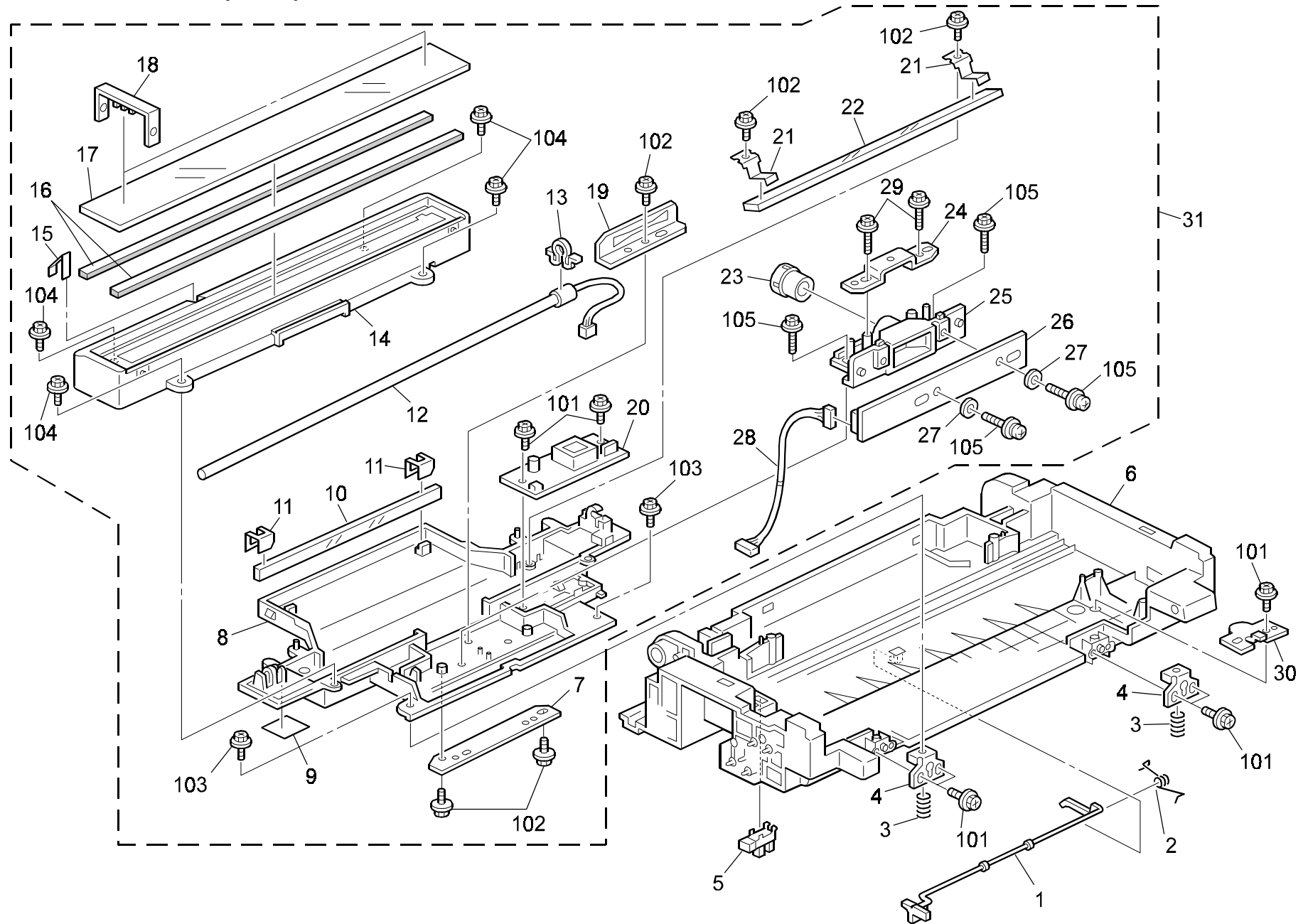


## 7.OPTICSSECTION1(H306)

Index No.	Part No.	Description	Q'ty Per Assembly
1	H306 1066	Base Cover 2	1
2	H306 1081	Base Stay	1
3	H306 1106	Pressure Roller Spacer	1
4	H306 1103	R1 Shaft	1
5	H306 5150	Grounding Wire	1
6	H306 5112	SCN Sensor Harness	1
7	H306 5050	Original Sensor	3
8	H519 1209	Pressure Roller	2
9	H306 1083	R1 Roller Spring	1
10	H306 1085	R1 Roller Guide	1
11	H306 1326	S2 Sheet	2
12	H306 1096	Exit Guide	1
13	H519 1212	Pressure Roller Shaft	2
14	H519 1660	R0 Pressure Roller	1
15	H306 1327	Exit Collar	2
16	H306 5209	Transmitted Rubber Stamp	1
17	H306 1097	Spring Plate	1
18	H306 5151	Grounding Wire	1
19	H306 1067	Base Cover 1	1

Index No.	Part No.	Description	Q'ty Per Assembly
101	0450 4008B	Tapping Screw - 4x8	
102	0451 3006B	Tapping Screw - M3x6	
103	0450 3008B	Tapping Screw - M3x8	

# 8.OPTICSSECTION2(H306)



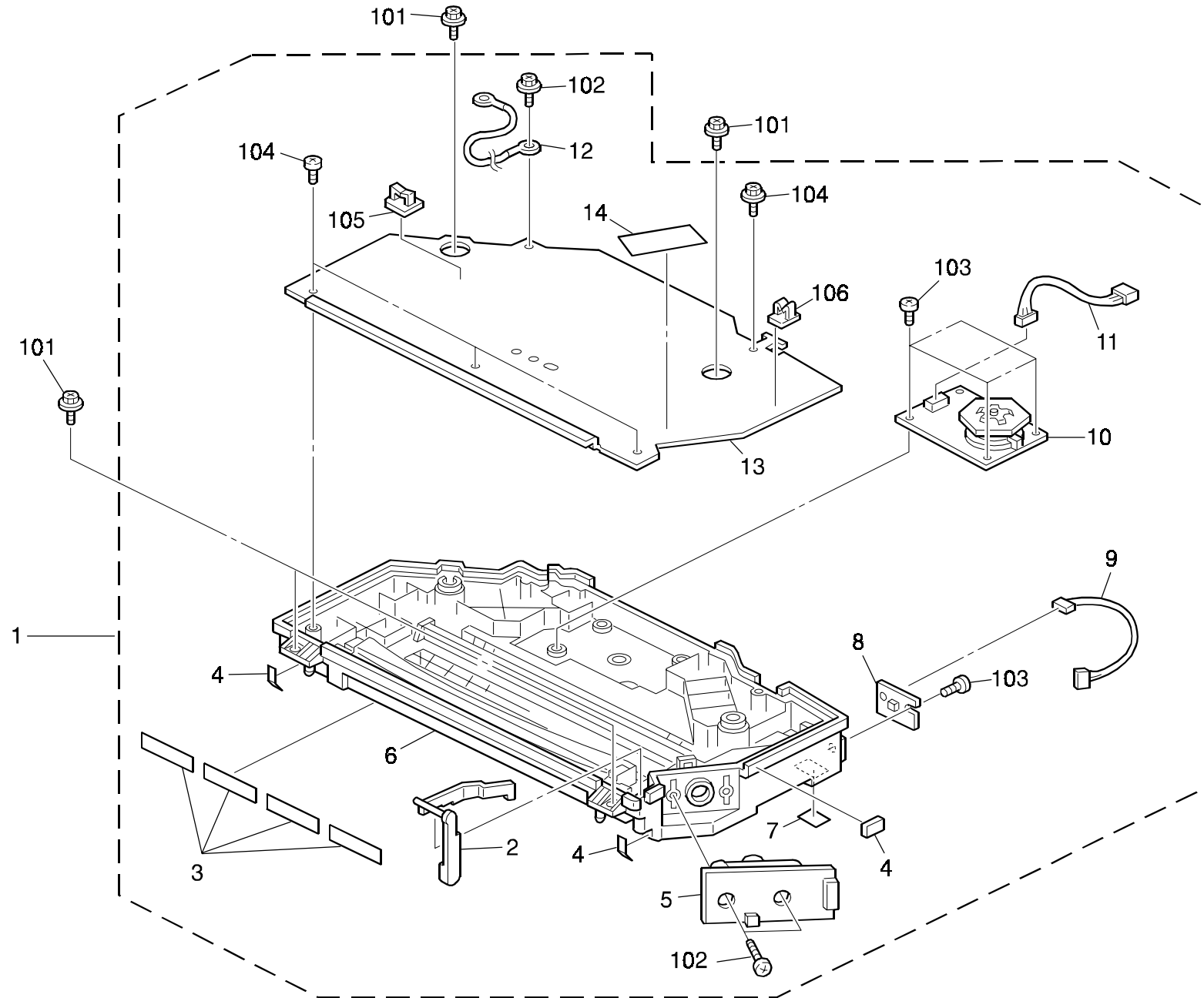
## 8.OPTICSSECTION2(H306)

Index No.	Part No.	Description	Q'ty Per Assembly
1	H306 1107	Exit Feeler	1
2	H306 1102	Exit Feeler Spring	1
3	H306 1068	Positioning Spring	2
4	H306 1069	Positioning Bracket	2
5	AW02 0075	Photointerrupter	1
6	H306 1080	Scanner Base	1
7	H306 1051	Base Bracket	1
8	H306 1050	Optical Unit Base	1
9	H306 1059	Base Sheet	1
10	H306 1053	2nd Mirror	1
11	H306 1055	Spring Plate - 2	2
12	H306 5052	Xenon Lamp	1
13	H306 1056	Xenon Lamp Holder	1
14	H306 1063	Exposure Glass Guide	1
15	H306 1073	Guide Sheet	1
16	H306 1065	Exposure Glass Sponge	2
17	H306 1061	Exposure Glass	1
18	H306 1064	Exposure Glass Stopper	2
19	H306 1058	Shading Plate	1
20	H306 5051	Xenon Lamp Board	1
21	H306 1054	Spring Plate - 1	2
22	H306 1052	1st Mirror	1
23	H014 1101	Lense - F22.6	1
24	H306 1062	Lens Bracket	1
25	H306 1060	Lens Holder	1
26	H306 6050	SBU Board	1
27	5466 3198	Washer - SBU	2
28	H306 5123	SBU Harness	1
29	H306 1070	Pan Head Screw	1
30	H306 1105	Base Cover Bracket	1
31	H306 1010	Optical Unit Ass'y	1

Index No.	Part No.	Description	Q'ty Per Assembly
101	0450 3008B	Tapping Screw - M3x8	
102	0450 3006B	Tapping Screw - M3x6	
103	0951 3008B	Philips Screw With Flat Washer - M3x8	
104	0450 3010B	Tapping Screw - M3x10	
105	0954 3012B	Screw - M3X12	



# 9.LASERUNIT(H306)

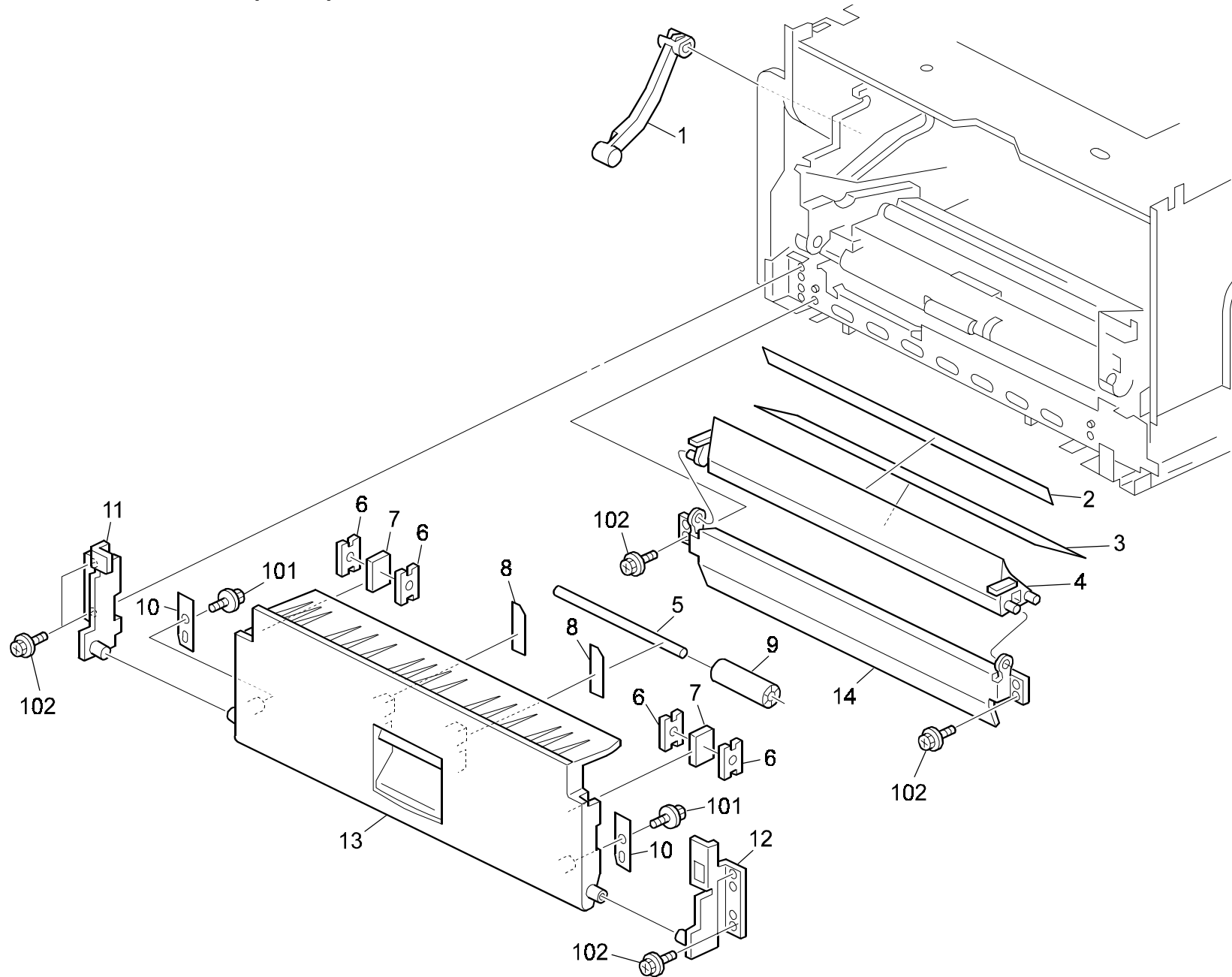


## 9.LASERUNIT(H306)

Index No.	Part No.	Description	Q'ty Per Assembly
1	H306 2701	Laser Protter Unit	1
2	H306 2714	Shutter - LDUNI	1
3	H306 3189	Shielding Seal - 5x30	4
4	H306 3190	Shielding Seal - 5x15	2
5	G029 1861	Laser Diode Unit	1
6	G029 1900	Optical Housing	1
7	AA15 0332	Seal - 0.19x18x22	1
8	H306 5020	Sync Detector Board	1
9	H306 5119	Sync Detector Harness	1
10	G029 1961	Polygon Scanner	1
11	G020 5439	Harness - Polygon Mirror Motor	1
12	H306 2712	Grounding Wire	1
13	G029 1907	Optical Housing Cover	1
14	G029 1982	Decal - LD	1

Index No.	Part No.	Description	Q'ty Per Assembly
101	0450 3016B	Tapping Screw - M3x16	
102	0452 3010B	Tapping Bind Screw - M3x10	
103	0452 3008B	Tapping Screw - M3x8	
104	1105 0368	Clump - Mn-2	
105	1105 0350	Wire Saddle - 1m	

# 10.VARTICALTRANSPORT(H306)



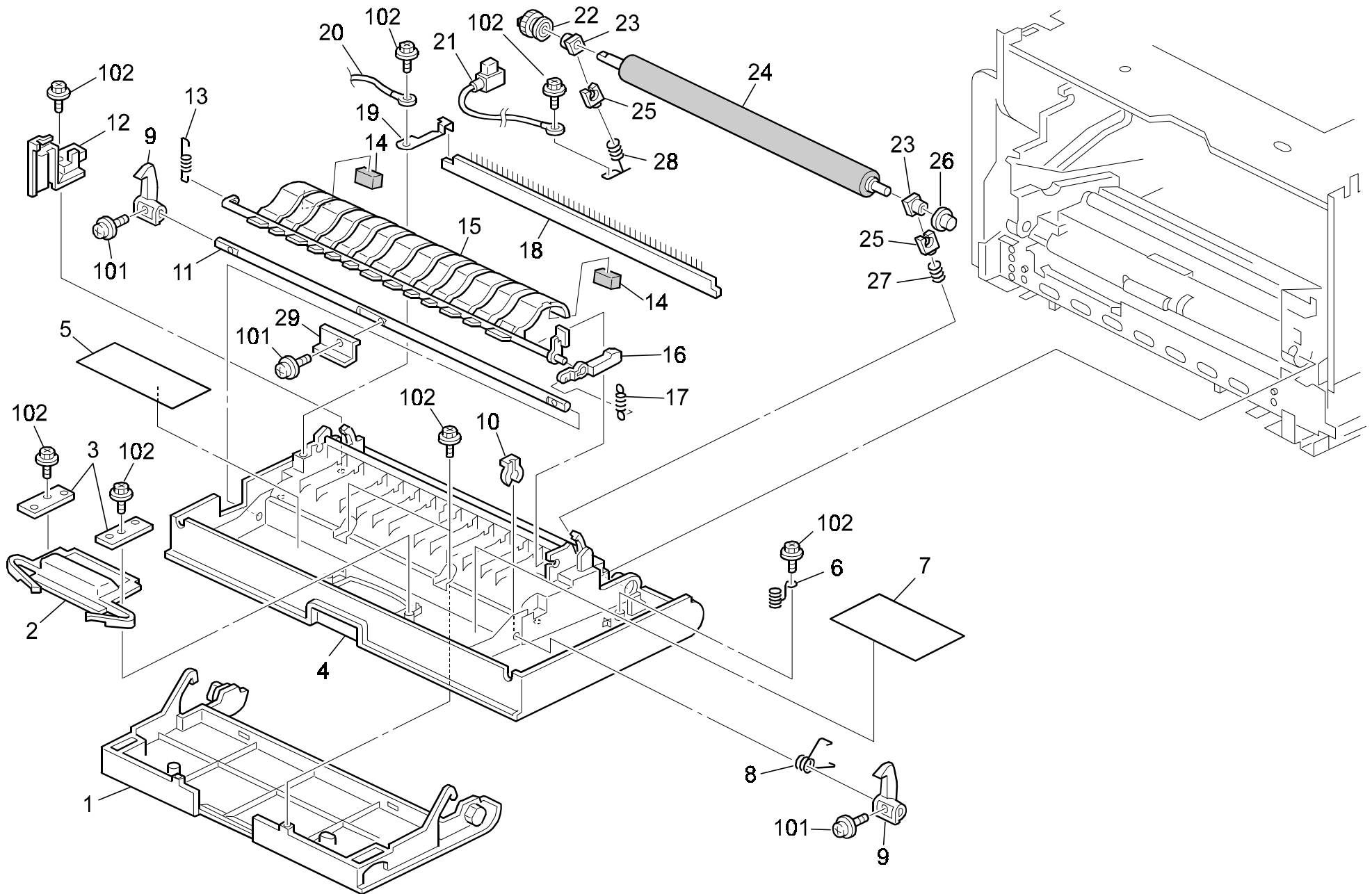
## 10.VARTICALTRANSPORT(H306)

Index No.	Part No.	Description	Q'ty Per Assembly
1	H306 3124	Shutter Arm	1
2	H306 3356	Guide Film 1	1
3	H306 3353	Guide Film 2	1
4	H519 3050	Paper Guide	1
5	H519 3507	Pressure Roller Shaft	1
6	G697 1261	Magnetic Catch Bracket	4
7	AG07 0012	Magnet	2
8	H306 3364	Spring Plate	2
9	H521 3340	Pressure Roller - Registration	1
10	H519 3540	Spring Plate	2
11	H306 3369	Rear Cover Bracket	1
12	H306 3366	Front Cover Bracket	1
13	H306 3361	Transport Cover	1
14	H519 3043	Paper Guide Plate - OP	1



Index No.	Part No.	Description	Q'ty Per Assembly
101	0450 3008B	Tapping Screw - M3x8	
102	0353 0030B	Philips Truss Head Screw - M3x3	

# 11.TRANSFERSECTION(H306)

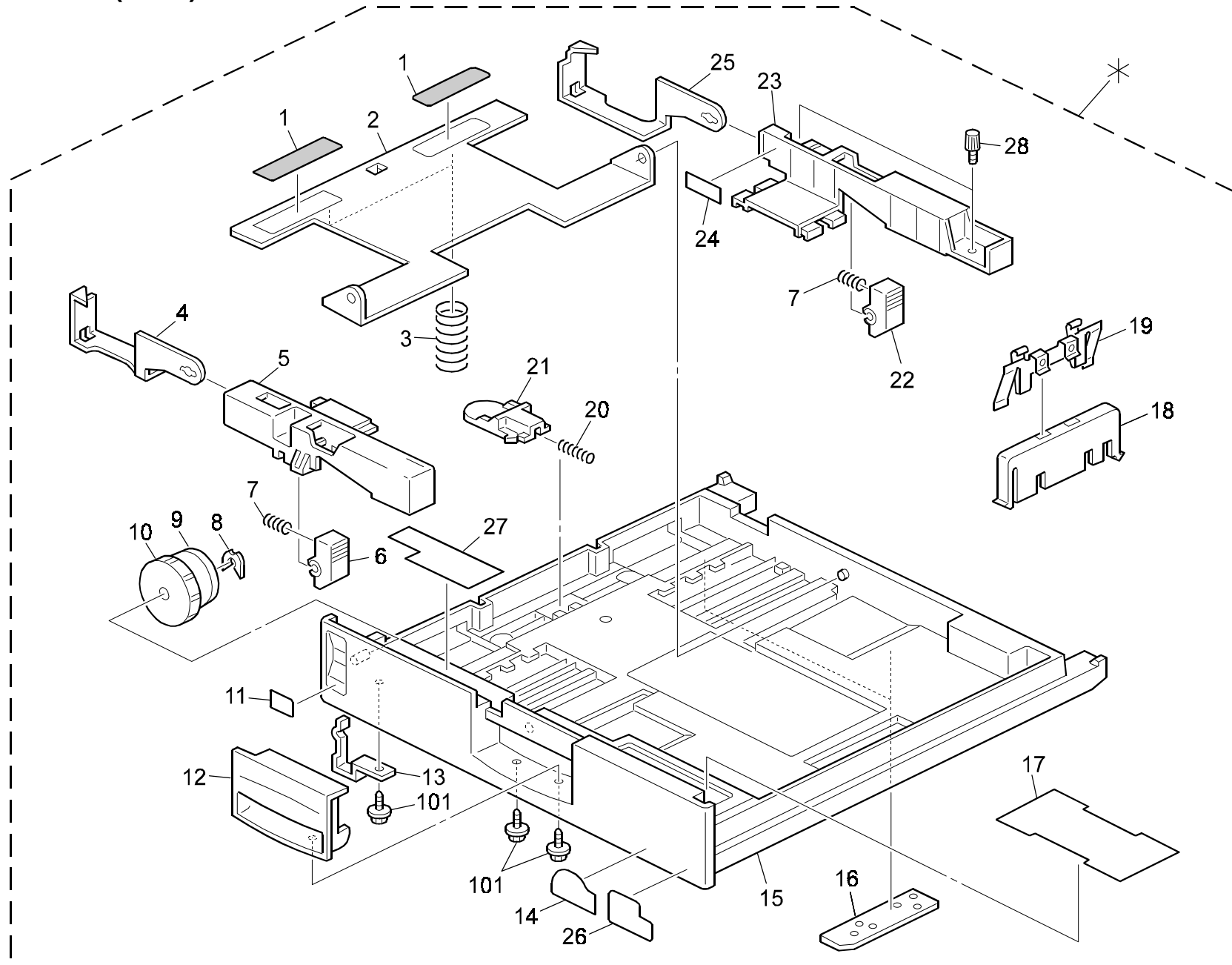


## 11.TRANSFERSECTION(H306)

Index No.	Part No.	Description	Q'ty Per Assembly
1	H306 4602	Manual Feed Cover	1
2	H306 3140	Lock Lever Button	1
3	H306 3149	Lock Button Guide	2
4	H306 3110	Left Cover	1
5	H306 3184	Decal - Fusing Cover 2	1
6	H306 3148	Left Spring Cover	1
7	H306 2099	Decal - Fusing Cover 1	1
8	H306 3114	Lock Spring	1
9	H306 3111	Lock Lever	2
10	H521 3355	C Ring - Paper Feed Roller	1
11	H306 3113	Lock Lever Shaft	1
12	G029 1253	Left Harness Cover - P3	1
13	H306 3150	Shutter Spring	1
14	G029 3867	Shutter Cushion	2
15	H306 3143	Transfer Roller Shutter - A3	1
16	H306 3182	Shutter Release Plate	1
17	G029 3861	Release Spring	1
18	G029 3967	Discharge Brush	1
19	G029 3864	Discharge Brush Terminal	1
20	H306 5074	Grounding Wire	1
21	H306 5073	High Voltage Cord - T	1
22	H306 3177	Gear - 30Z	1
23	H306 3179	Transfer Spacer Bushing	2
<b>24</b>	<b>G029 3950</b>	<b>Transfer Roller A3</b>	<b>1</b>
25	H515 2455	Holder - Transfer Roller - Left	2
26	H306 3178	Positioning Roller	1
27	G029 3854	Compression Spring	1
28	G030 3858	Pressure Spring	1
29	H306 3141	Lock Lever Stay	1

Index No.	Part No.	Description	Q'ty Per Assembly
101	0951 3006B	Philips Screw With Flat Washer - M3x6	
102	0450 3008B	Tapping Screw - M3x8	

# 12.PAPERTRAY(H306)



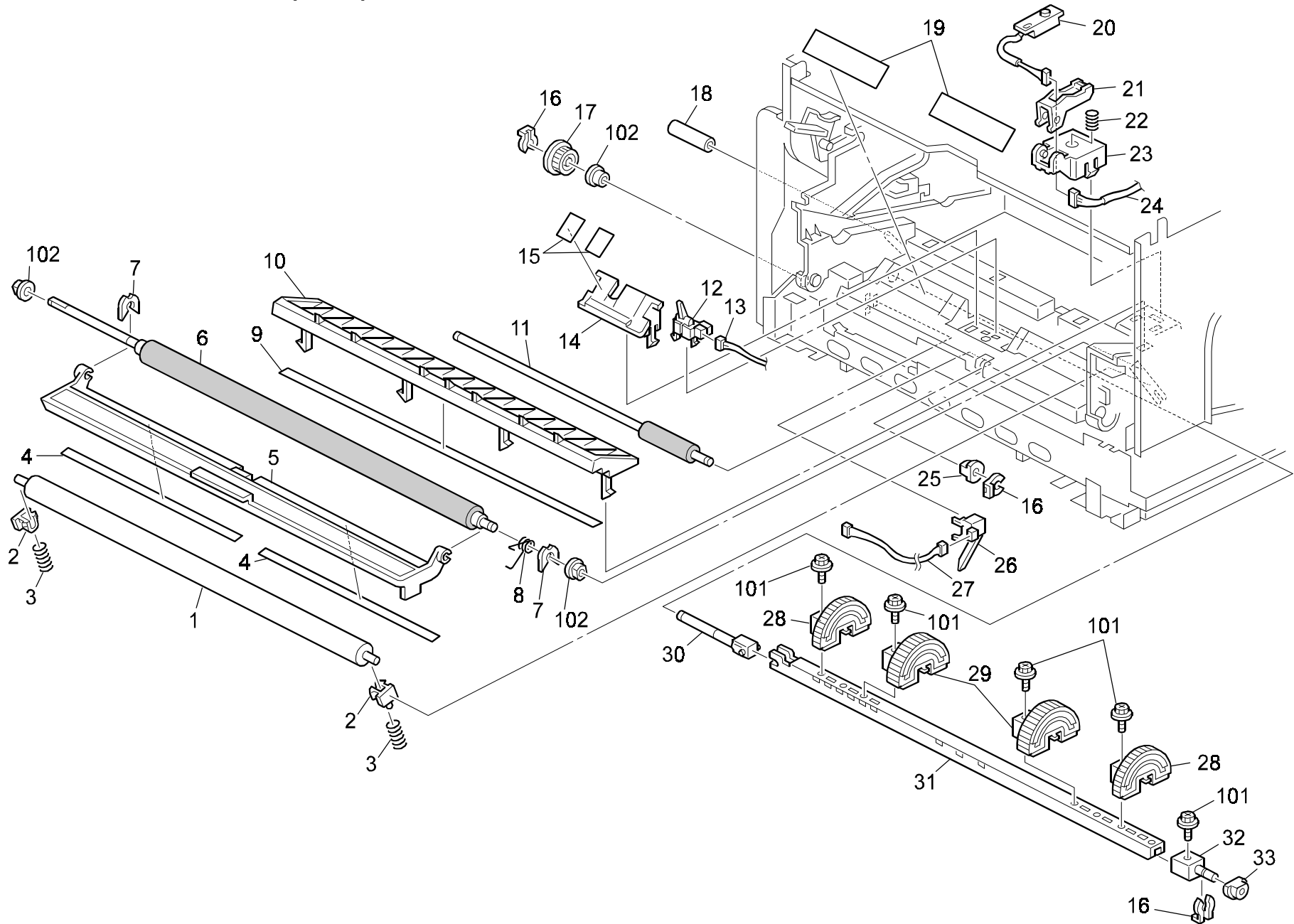
## 12.PAPERTRAY(H306)

Index No.	Part No.	Description	Q'ty Per Assembly
*	H306 3322	Paper Tray Ass'y (NA)	1
*	H306 3323	Paper Tray Ass'y (EU/ASIA)	1
1	H519 3036	Bottom Plate Pad	2
2	H519 3035	Bottom Plate	1
3	H306 3381	Paper Feed Spring	2
4	H519 3018	Separation Hook - Rear	1
5	H519 3332	Front Side Fence	1
6	H521 3412	Knob - Cassette	1
7	H519 3024	Dide Fence Knob Spring	2
8	H515 3543	E-Ring - Jre4	1
9	H519 3033	Paper Size Sensor - Rear	1
10	H306 3385	Paper Size Sensor Board 1 (NA/TWN)	1
10	H306 3386	Paper Size Sensor Board 1 (EU)	1
11	H519 3038	Decal - Paper Level	1
12	H519 3030	Paper Tray Grip	1
13	H519 3034	Spring Plate - Size Sensor	1
14	H516 4095	Decal - Energystar	1
15	H519 3331	Paper Tray	1
16	H519 3333	Plate Nut - Side Fence	2
17	H519 3029	Decal - Paper Set	1
18	H519 3027	End Fence	1
19	H521 3434	Spring Plate - End Fense	1
20	AA06 3205	Spring	1
21	A077 2822	Plate Release Slider	1
22	H519 3025	Rear Side Fence Knob	1
23	H519 3021	Rear Side Fence	1
24	H522 3411	Decal - Rear Side Fence	1
25	H521 3415	Separation Hook - Front	1
26	H553 3861	Decal - Super G3	1
27	H306 3335	Decal - Paper Size	1
28	H306 3334	Adjusting Screw	2

Index No.	Part No.	Description	Q'ty Per Assembly
101	0452 3008B	Tapping Screw - M3x8	



# 13.PAPERREGISTRATION(H306)



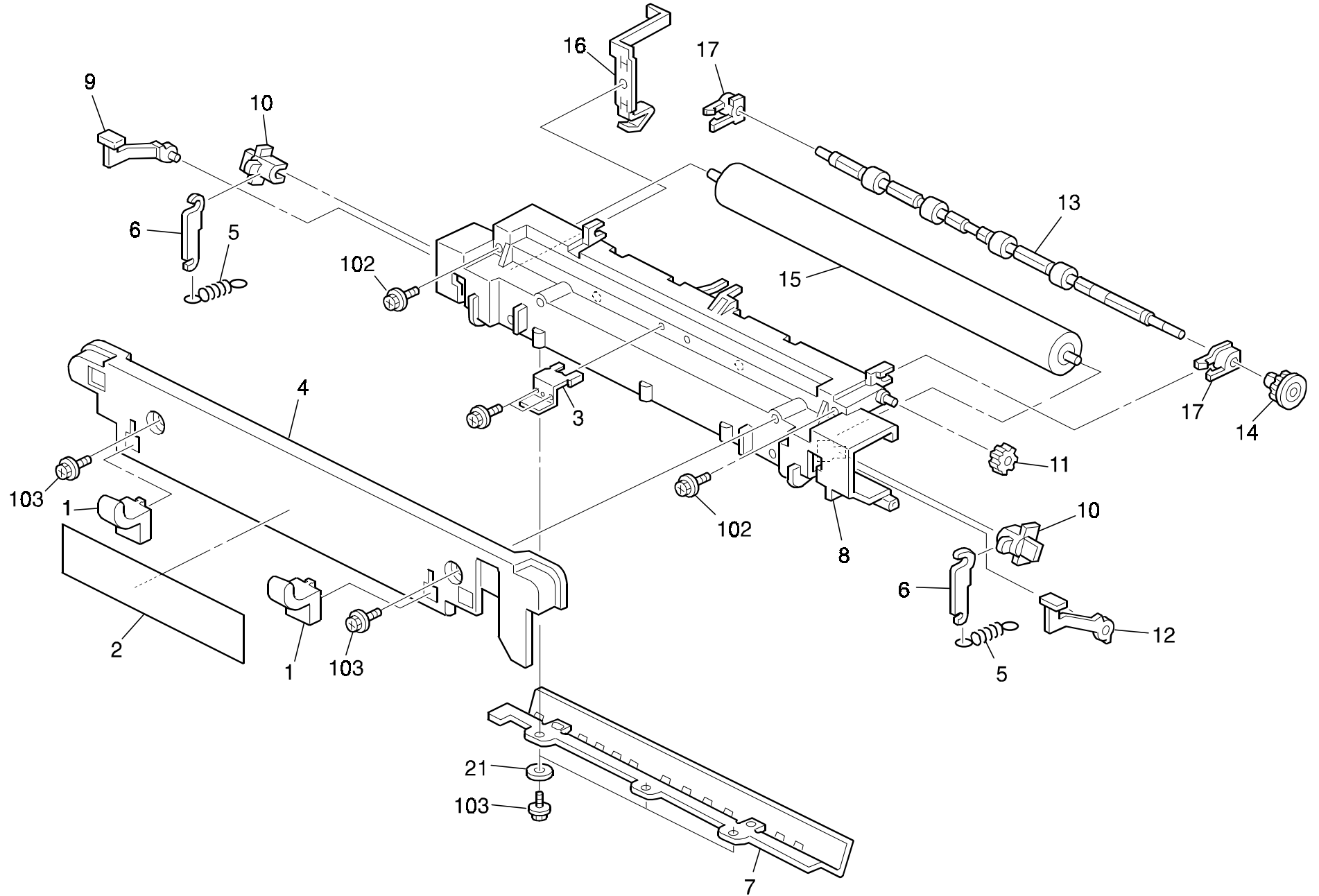
### 13.PAPERREGISTRATION(H306)

Index No.	Part No.	Description	Q'ty Per Assembly
1	G800 3061	Driven Regist Roller	1
2	H306 3404	Driven Roller Bushing	2
3	G800 3093	Compression Spring	2
4	H306 3406	Upper Film	2
5	H306 3405	Registration Guide Plate	1
6	H306 3401	Registration Drive Roller	1
7	H515 3543	E-Ring - Jre4	2
8	H306 3408	Registration Spring	1
9	H306 3146	Registration Scraper	1
10	H306 3137	Rear Registration Guide	1
11	H306 3414	Transport Roller	1
12	H306 5043	Registration Sensor	1
13	H306 5139	Registration Sensor Harness	1
14	H306 3403	Registration Sensor Cover	1
15	H306 3435	Lower Film 2	2
16	H006 2383	Snap Ring	3
17	H306 3415	Transport Roller Gear	1
18	H306 3407	Registration Spacer	1
19	H306 3434	Lower Film 1	2
20	G029 1064	Toner End Sensor	1
21	G029 1062	Toner End Sensor Holder	1
22	G800 1217	Toner End Sensor Spring	1
23	G029 1061	Toner End Sensor Bracket	1
24	H306 5117	Toner End Sensor Harness	1
25	H521 3356	Bushing - Paper Feed Roller	1
26	H519 5206	H.P Sensor	1
27	H306 5135	Paper Feed Sensor Harness	1
<b>28</b>	<b>H519 3011</b>	<b>Paper Feed Roller - 5mm</b>	<b>2</b>
<b>29</b>	<b>H519 3012</b>	<b>Paper Feed Roller - 10mm</b>	<b>2</b>
30	H306 3424	Rear Shaft - Paper Feed Roller	1
31	H306 3410	Paper Feed Roller Stay	1
32	H306 3411	Front Shaft - Paper Feed Roller	1
33	H523 3352	Bushing - Paper Feed Roller	1

Index No.	Part No.	Description	Q'ty Per Assembly
101	0451 3006B	Tapping Screw - M3x6	
102	0805 3480	Bushing - 6mm	



# 14.FUSING UNIT 1(H306)



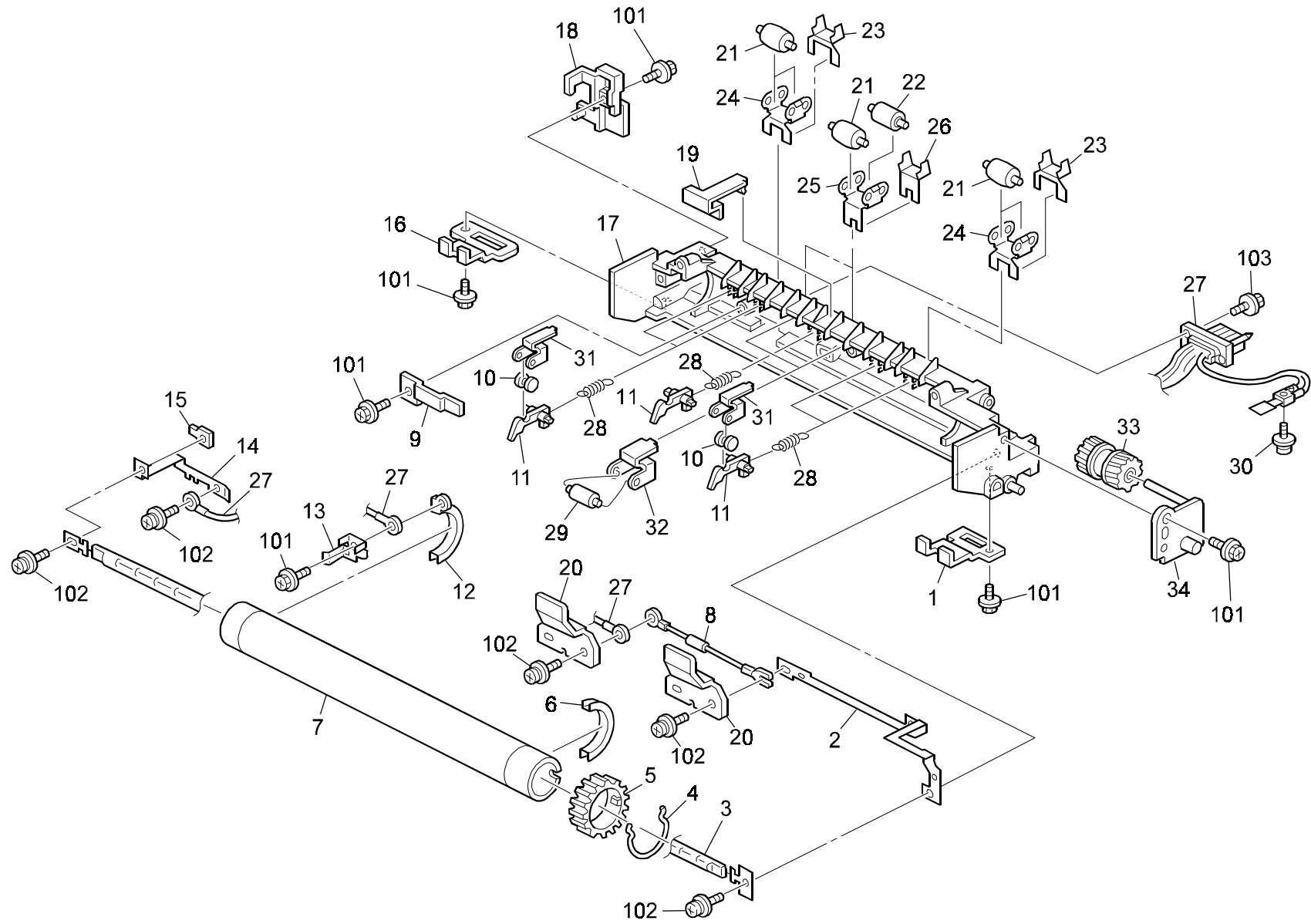
## 14.FUSING UNIT 1(H306)

Index No.	Part No.	Description	Q'ty Per Assembly
*	H306 2160	Fusing Unit Ass'y (NA)	1
*	H306 2071	Fusing Unit Ass'y (TWN)	1
*	H306 2170	Fusing Unit Ass'y (EU/ASIA)	1
1	H306 2111	Fusing Grip	2
2	H306 2073	Decal - High Temperature	1
3	H306 2168	Pressure Plate	1
4	H306 2112	Fusing Cover	1
5	H306 2178	Pressure Spring	2
6	H306 2083	Pressure Roller Lever	2
7	H306 2105	Fusing Guide Plate	1
8	H306 2113	Pressure Frame	1
9	H306 2194	Rear Release Lever	1
<b>10</b>	<b>G029 4174</b>	<b>Pressure Roller Bushing</b>	<b>2</b>
11	G029 4132	Idler Gear - Exit	1
12	H306 2193	Front Release Lever	1
<b>13</b>	<b>H306 2166</b>	<b>Exit Roller (NA/TWN)</b>	<b>1</b>
<b>13</b>	<b>H310 2193</b>	<b>Exit Roller (EU/ASIA)</b>	<b>1</b>
14	G029 4185	Exit Roller Gear	1
<b>15</b>	<b>G029 4120</b>	<b>Pressure Roller</b>	<b>1</b>
16	H306 2117	Grounding Plate	1
17	G800 4851	Bushing	2

Index No.	Part No.	Description	Q'ty Per Assembly
101	0450 3010B	Tapping Screw - M3x10	
102	0450 3010Z	Tapping Screw With Washer - M 3x10	
103	0450 3008B	Tapping Screw - M3x8	



# 15.FUSING UNIT 2(H306)

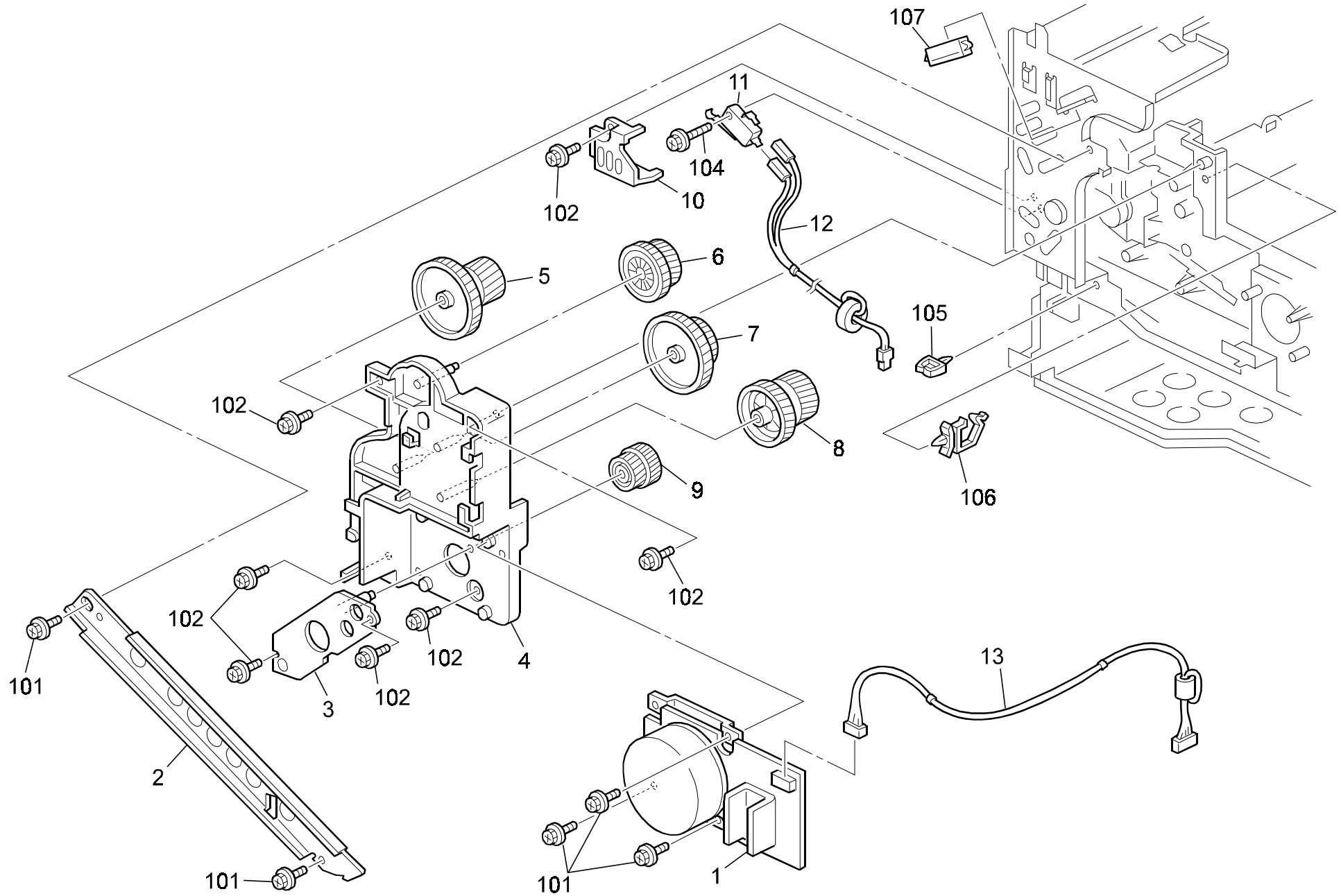


## 15.FUSING UNIT 2(H306)

Index No.	Part No.	Description	Q'ty Per Assembly
*	H306 2160	Fusing Unit Ass'y (NA)	1
*	H306 2170	Fusing Unit Ass'y (EU)	1
*	H306 2071	Fusing Unit Ass'y (TWN)	1
1	G029 4149	Right Support Plate	1
2	G029 4141	Grounding Plate 1	1
3	H306 5066	Heater - 115V	1
3	H306 5067	Heater - 230V	1
4	G029 4140	External Circlip	1
<b>5</b>	<b>G029 4171</b>	<b>Hot Roller Gear</b>	<b>1</b>
<b>6</b>	<b>G029 4172</b>	<b>Hot Roller Bushing</b>	<b>1</b>
<b>7</b>	<b>H306 2120</b>	<b>Hot Roller</b>	<b>1</b>
8	H306 5068	Thermofuse - 169 ° C	1
9	H306 2179	Fusing Harness Cover	1
10	H306 2138	Stripper Pawl Roller	4
<b>11</b>	<b>H306 2137</b>	<b>Paper Stripper Pawl</b>	<b>5</b>
<b>12</b>	<b>G029 4173</b>	<b>Hot Roller Bushing 2</b>	<b>1</b>
13	H306 2118	Grounding Plate	1
14	G029 4144	Grounding Plate 2	1
15	G029 4139	Heater Holder	1
16	G029 4148	Left Support Plate	1
17	G029 4101	Fusing Frame	1
18	G029 4201	PCU Sensor Holder	1
19	G029 4151	Stripper Pawl Stopper	1
20	G029 4133	Cover Screw	2
21	G800 4854	Exit Roller	4
22	H306 2167	Exit Roller	2
23	G029 4199	Spring Plate - Sub 2	2
24	G029 4184	Spring Plate 2	2
25	G029 4183	Spring Plate 1	2
26	G029 4198	Spring Plate - Sub 1	2
<b>27</b>	<b>H306 2151</b>	<b>Fusing Unit Connector (NA/TWN)</b>	<b>1</b>
<b>27</b>	<b>H306 2152</b>	<b>Fusing Unit Connector (EU/ASIA)</b>	<b>1</b>
28	G029 4143	Pickoff Pawl Spring	5
29	G029 4176	Turn Roller - Exit Sub-unit	2
30	G029 4158	Screw - M3x13	1

Index No.	Part No.	Description	Q'ty Per Assembly
31	H306 2139	Stripper Pawl Stopper	4
32	G029 4134	Spring Plate	2
33	G029 4131	Idler Gear - Fusing	1
34	G029 4145	Bracket - Idler Ass'y	1
101	0450 3008B	Tapping Screw - M3x8	
102	0954 3008B	Philips Screw - M3x8	
103	0450 3012B	Tapping Screw -3x12	

# 16.DRIVESECTION1(H306)



## 16.DRIVESECTION1(H306)

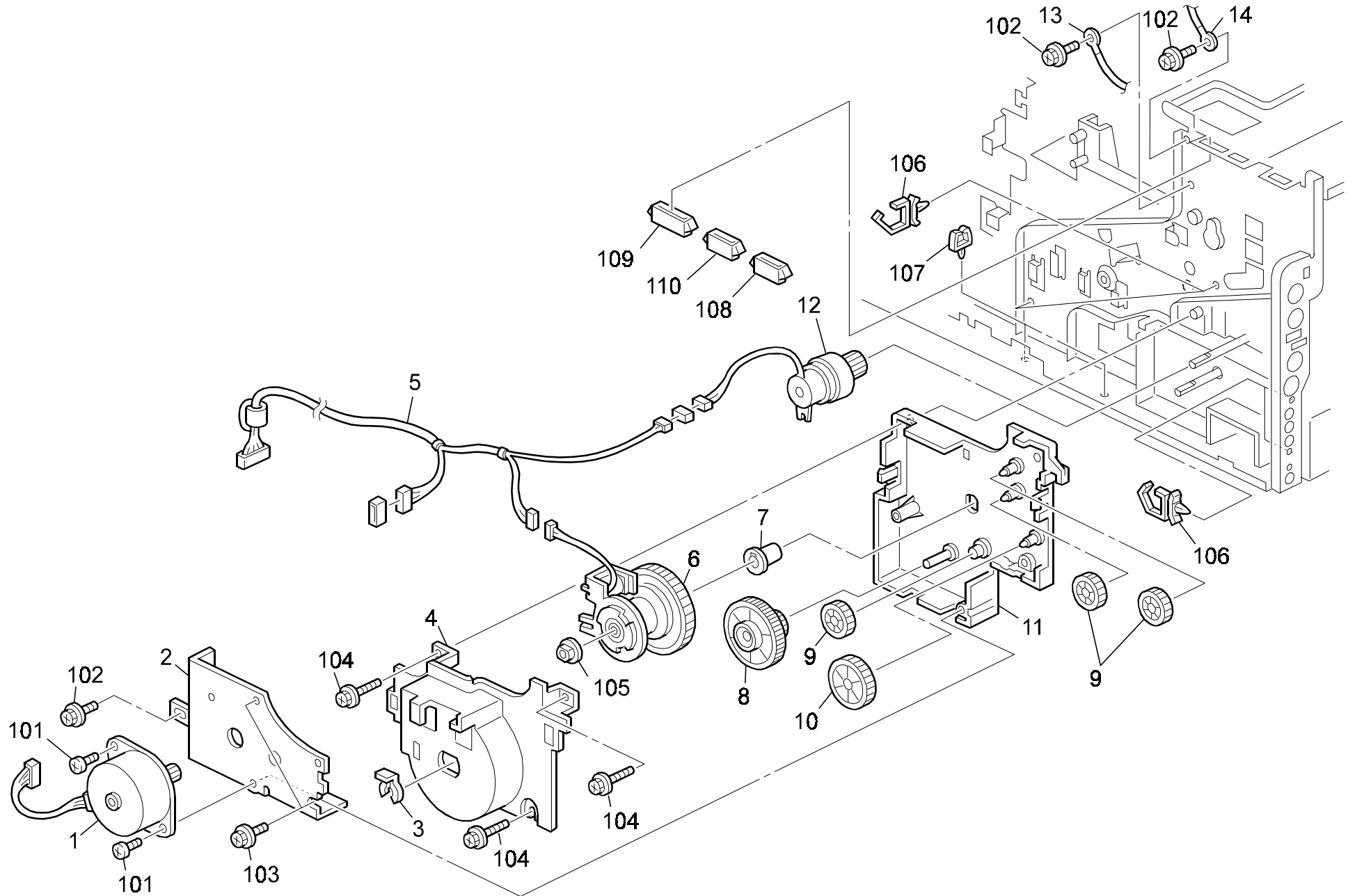
Index No.	Part No.	Description	Q'ty Per Assembly
1	G029 5500	Brushless Motor - DC24V 18W	1
2	H306 3218	Front Support Plate - Short	1
3	H306 3235	Drive Shaft Support Plate	1
4	H306 3122	Main Drive Housing	1
5	G029 1118	Gear - C3	1
6	G029 1109	Gear - C5	1
7	G029 1108	Gear - C4	1
8	G029 1117	Gear - C2	1
9	G029 1105	Gear - C1	1
10	H306 3125	Safety Switch Cover	1
11	H306 5070	Micro Switch - AM51634A531	1
12	H306 5124	Safety Switch Harness	1
13	H306 5129	Main Motor Harness	1



Index No.	Part No.	Description	Q'ty Per Assembly
101	0451 3006B	Tapping Screw - M3x6	
102	0450 3008B	Tapping Screw - M3x8	
103	0450 4010B	Tapping Screw - 4x10	
104	0450 3016B	Tapping Screw - M3x16	
105	1105 0344	Clamp	
106	1105 0487	Harness Clamp	
107	1102 5193	Connector - 10P	



# 17.DRIVESECTION2(H306)

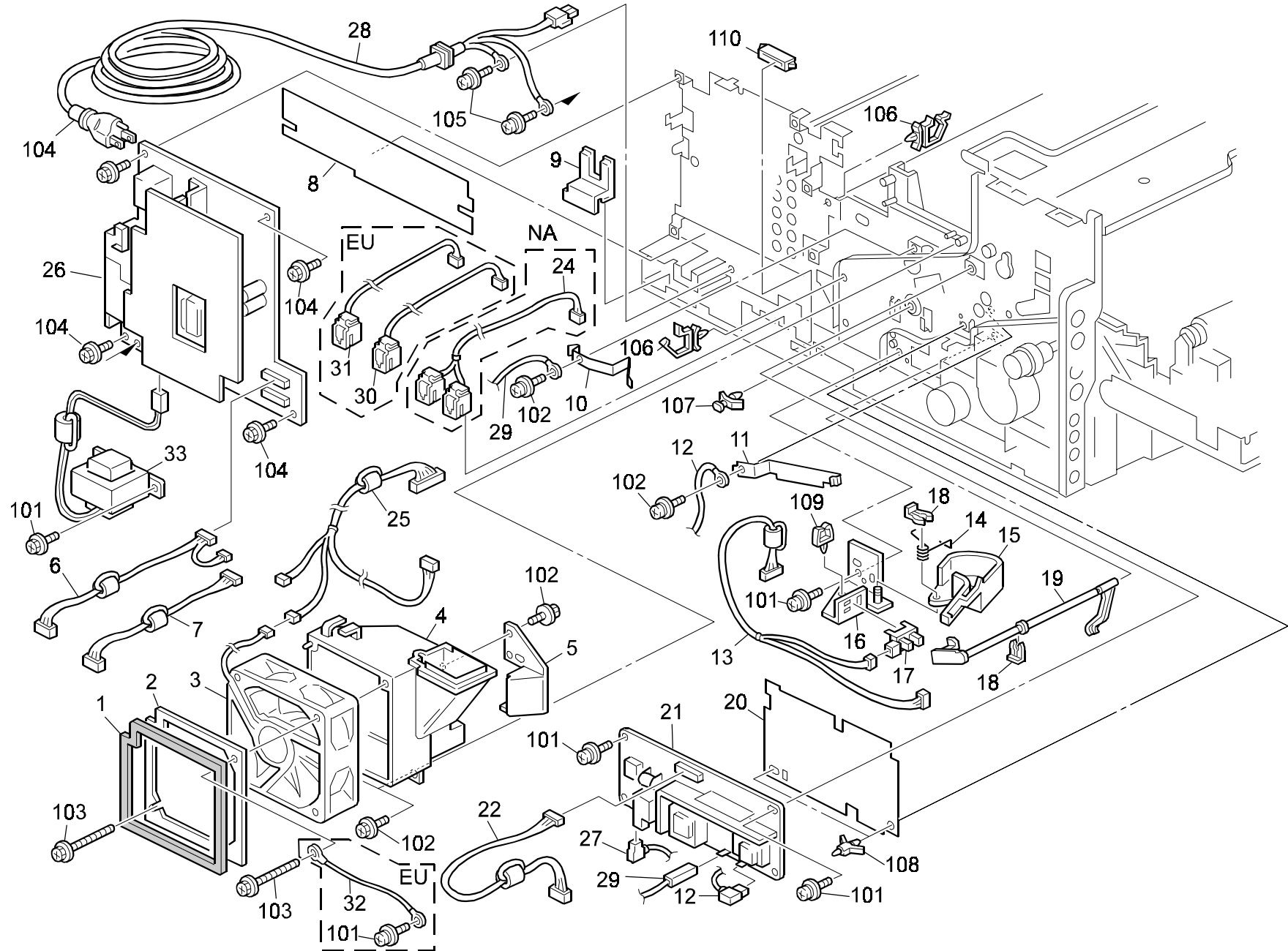


## 17.DRIVESECTION2(H306)

Index No.	Part No.	Description	Q'ty Per Assembly
1	H519 5205	Paper Feed Motor	1
2	H306 3427	Motor Bracket	1
3	G011 3275	Snap Ring	1
4	H306 3428	Housing Cover	1
5	H306 5127	Motor Harness - Paper Feed	1
6	H306 5041	Spring Clutch	1
7	H523 3310	Rear Bushing - Feed Roller	1
8	H306 3419	Slow Down Gear	1
9	H306 3420	Idler Gear 1	3
10	H306 3421	Idler Gear 2	1
11	H306 3418	Drive Housing	1
12	H306 5042	Magnetic Clutch	1
13	H306 5074	Grounding Wire	1
14	H306 5151	Grounding Wire	1

Index No.	Part No.	Description	Q'ty Per Assembly
101	0453 3006B	Tapping Screw - M3x6	
102	0451 3006B	Tapping Screw - M3x6	
103	0450 3008B	Tapping Screw - M3x8	
104	0450 3012B	Tapping Screw -3x12	
105	0805 3386	Bushing - 8mm	
106	1105 0487	Harness Clamp	
107	1105 0344	Clamp	
108	1102 4560	Relay Connector - 6P	
109	1102 5071	Relay Connector - 9P	
110	1102 5194	Relay Connector - 7P	

# 18.ELECTRICALSECTION1 (H306)



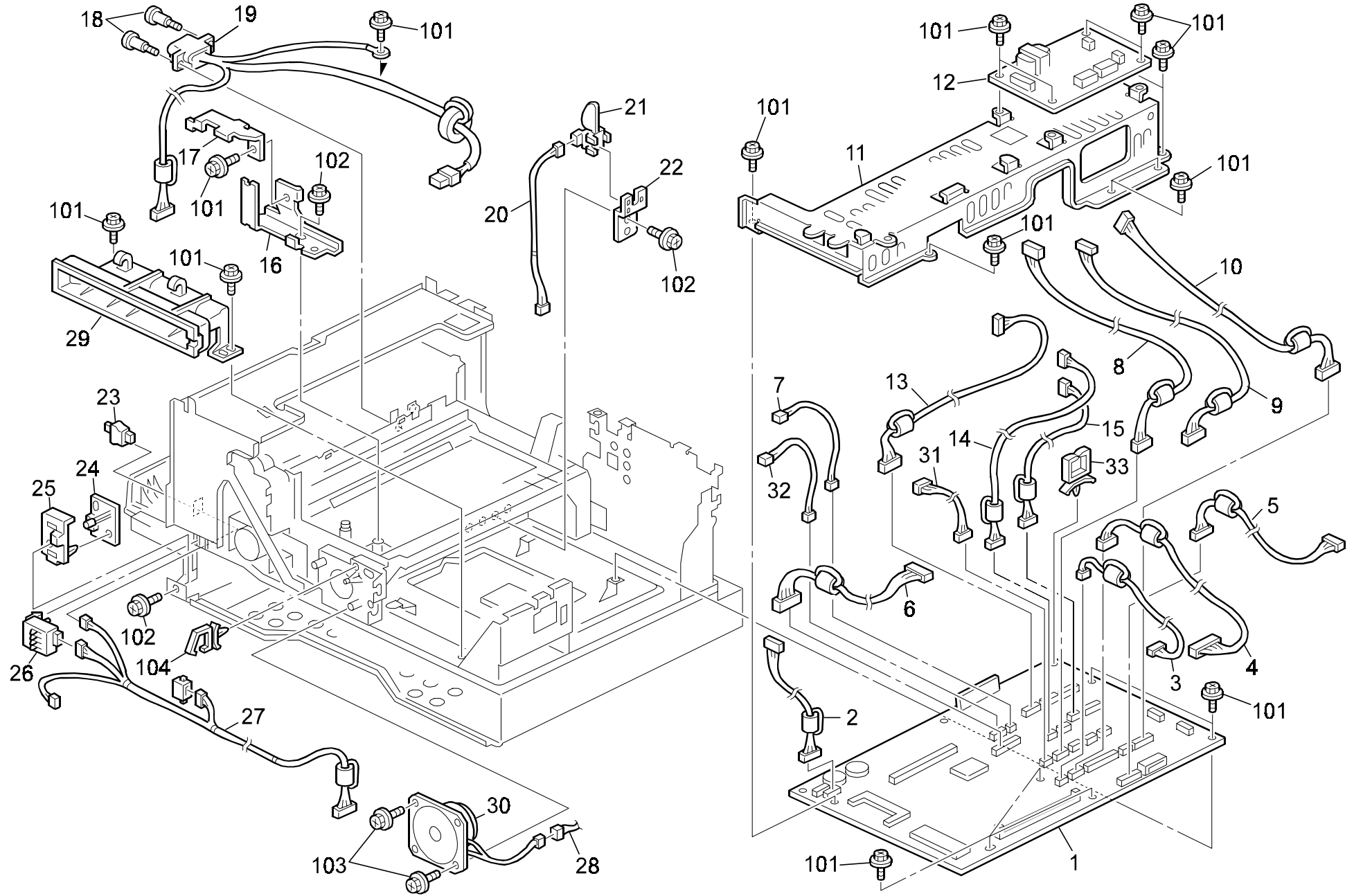
## 18.ELECTRICALSECTION1 (H306)

Index No.	Part No.	Description	Q'ty Per Assembly
1	H306 3167	Fan Shield	1
2	H306 3166	Fan Shield Holder	1
3	H306 5044	Fan Motor - 80mm	1
4	H306 3126	Fan Motor Duct	1
5	H306 3169	Fan Duct S	1
6	H306 5111	PSU Harness 2	1
7	H306 5110	PSU Harness 1	1
8	H306 3164	Insulating Sheet - PSU	1
8	H306 3199	Insulating Sheet - PSU (EU)	1
9	H306 4062	Power Supply Cord Cover	1
10	G029 1089	Grounding Plate - Charge	1
11	G029 1083	Grounding Plate	1
12	H306 5071	High Voltage Cord - B	1
13	H306 5116	Paper Feed Sensor Harness 2	1
14	H306 3355	Lever Spring	1
15	H519 3088	Lever	1
16	H306 3348	Sensor Bracket 1 - Paper End	1
17	AW02 0086	Photointerruptor	1
18	5206 2686	Snap Ring	2
19	H306 3351	Paper End Sensor Feeler	1
20	H306 3163	Insulating Sheet - High Voltage	1
21	A250 5730	Power Pack - BCT	1
22	H306 5128	Power Pack Harness	1
23	H306 5072	High Voltage Cord - C	1
24	H306 5210	NCU Relay Harness 4P	1
25	H306 5126	ADF Motor Harness	1
26	H306 5000	PSU (NA)	1
26	H306 5011	PSU (EU)	1
27	H306 5073	High Voltage Cord - T	1
28	H521 5327	Power Cord - 115V	1
28	1150 0024	Power Cord - 250V (ASIA)	1
28	H521 5357	Power Cord - TWN	1
29	H306 5072	High Voltage Cord - C	1
30	H306 5223	Harness - NCU-6P (EU)	1
31	H306 5224	Harness - NCU-4P (EU)	1

Index No.	Part No.	Description	Q'ty Per Assembly
32	H306 2712	Grounding Wire (EU)	1
33	N607 4525	Choke Coil (EU/ASIA)	1
101	0451 3006B	Tapping Screw - M3x6	
102	0450 3008B	Tapping Screw - M3x8	
103	0450 4035B	Philips Tapping Screw - M4x35	
104	0954 3006B	Screw - M3X6	
105	0954 4006B	Screw - M4X6	
106	1105 0488	Harness Clamp	
107	1105 0409	Card Spacer - 6.4mm	
108	1105 0193	Nylon Stud	
109	1105 0344	Clamp	
110	1102 4871	Connector - 12P	



# 19.ELECTRICALSECTION2 (H306)

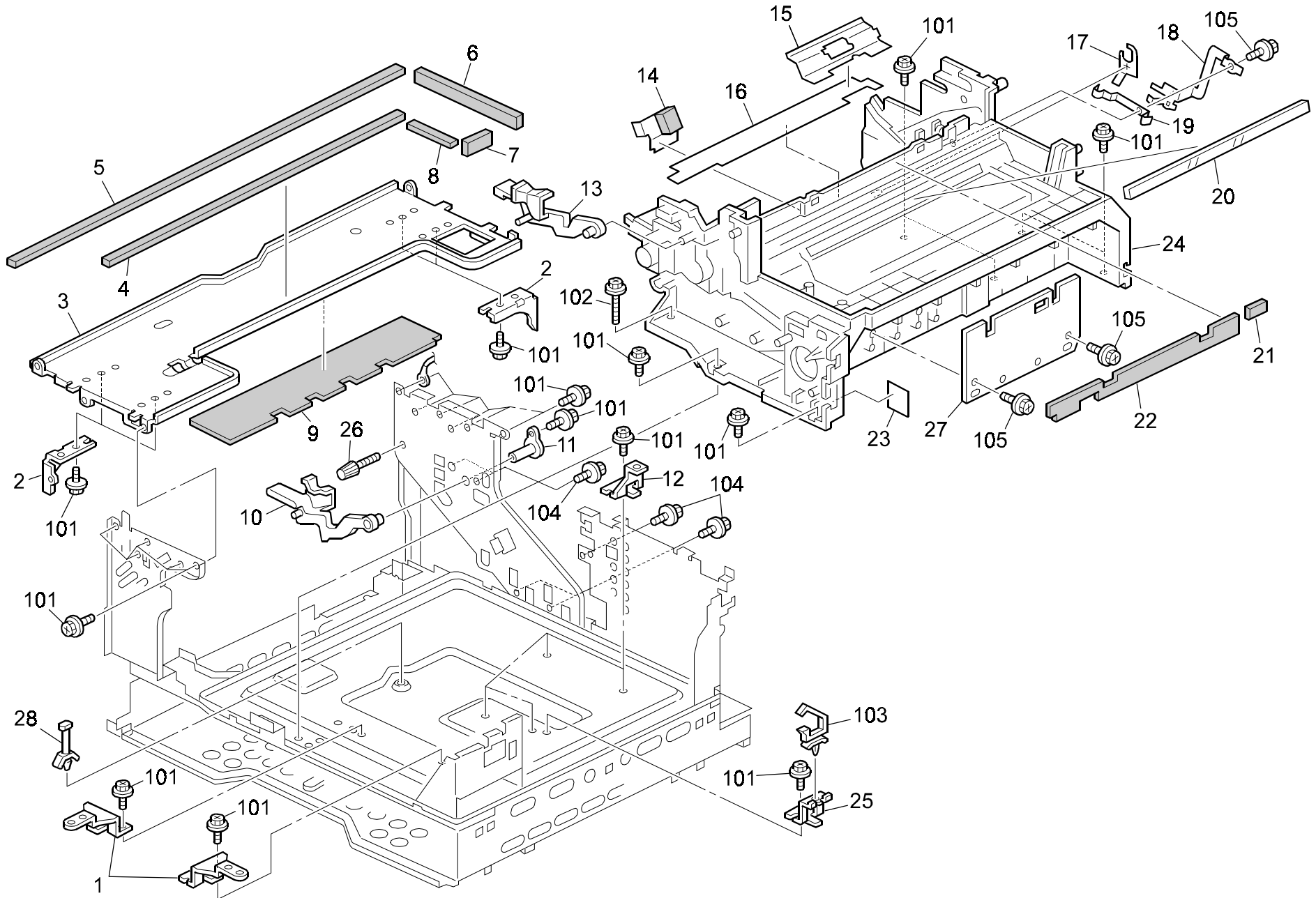


## 19.ELECTRICALSECTION2 (H306)

Index No.	Part No.	Description	Q'ty Per Assembly
1	H306 6120	FCU Board - NA	1
1	H306 6140	FCU Board - EU	1
1	H306 6130	FCU Board - TWN	1
2	H306 5136	Connectiong Harness - SBU	1
3	H306 5119	Sync Detector Harness	1
4	H306 5118	IDDR Harness	1
5	H306 5122	Operation Panel Harness	1
6	H306 5120	NCU1 Harness	1
7	H306 5200	Connectiong Harness - MIKE	1
8	H306 5133	Connecting Harness - ADF Sensor 1	1
9	H306 5134	Connecting Harness - ADF Sensor 2	1
10	H306 5132	Connecting Harness - SCN Sensor	1
11	H306 3129	FCU Shield Cover	1
12	5488 6121	NCU Board - NA/TWN	1
12	5488 6141	NCU Board - EU	1
13	H306 5131	pFU Harness	1
14	H306 5125	Xenon Lamp Harness	1
15	H306 5130	Polygon Motor Harness	1
16	H306 4063	Operation Panel Bracket 1	1
17	H306 4066	Operation Panel Bracket 2	1
18	G029 4200	Drawer Screw	2
19	H306 5218	Fusing Unit Harness	1
20	H306 5202	AIO Harness (NA/NA OEM/INF)	1
20	H306 5221	AIO Harness (EU/ASIA)	1
21	G020 2772	By-pass Paper End Sensor	1
22	H306 3157	AIO Sensor Bracket	1
23	G020 5626	Push Switch	1
24	H519 6035	RIB Board	1
25	H519 3098	LED Cover	1
26	G020 2620	Push Switch - Paper Size	1
27	H306 5115	Paper Feed Sensor Harness 1	1
28	H306 5117	Toner End Sensor Harness	1
29	H306 3134	IC Card Guide	1
30	H515 5049	Monitor Speaker	1
31	H306 5201	Counter Relay Harness	1

Index No.	Part No.	Description	Q'ty Per Assembly
32	H306 5121	NCU2 Harness	1
33	H306 3198	Clamp (EU/ASIA)	1
101	0451 3006B	Tapping Screw - M3x6	
102	0450 3008B	Tapping Screw - M3x8	
103	0452 3008B	Tapping Screw - M3x8	
104	1105 0488	Harness Clamp	

# 20.FRAMESECTION1(H306)



## 20.FRAMESECTION1(H306)

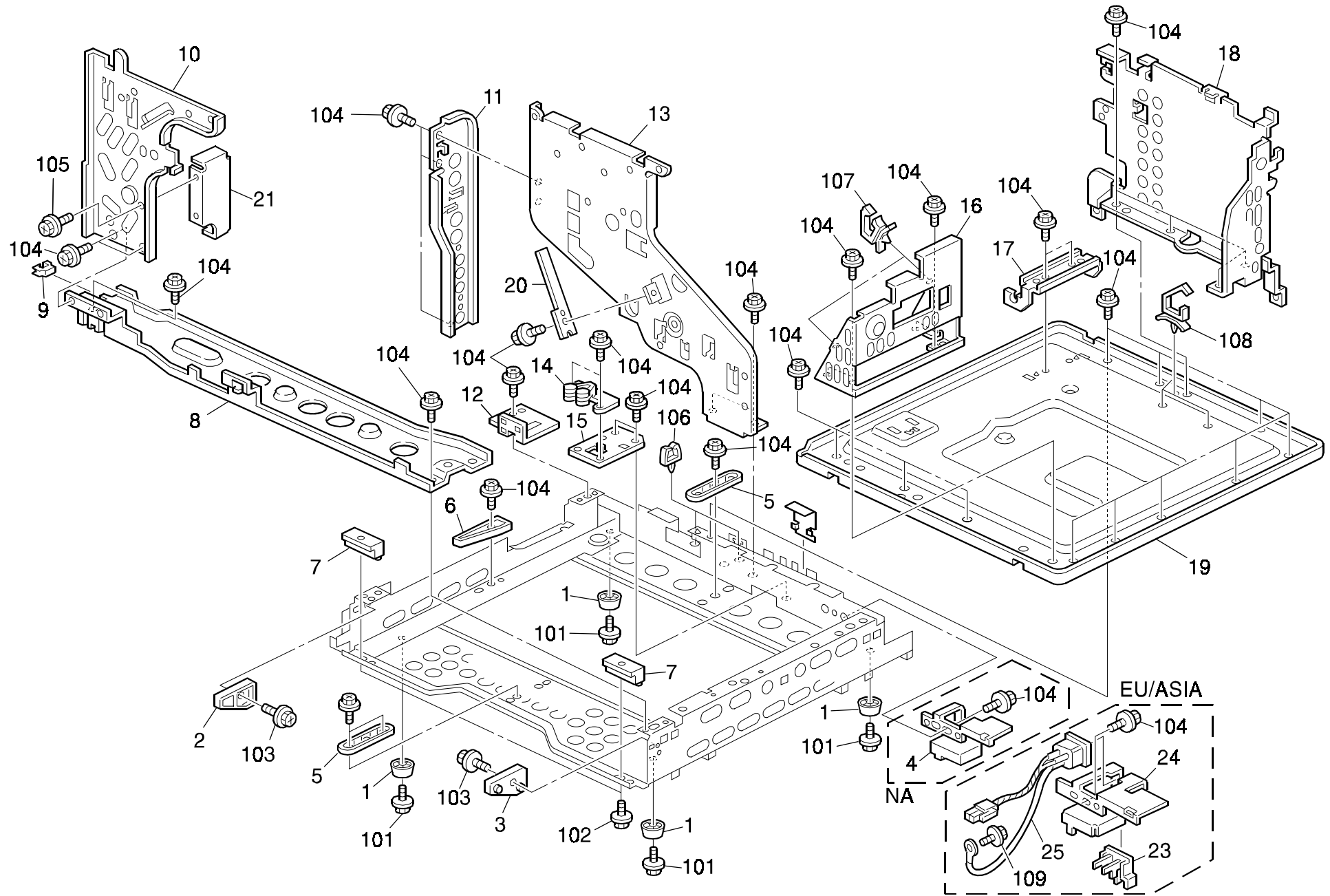
Index No.	Part No.	Description	Q'ty Per Assembly
1	H306 3131	FCU Bracket - Long	2
2	H306 3121	Angle	4
3	H306 3120	Support Plate Stay	1
4	H306 3159	Lower Shield 2	1
5	H306 3158	Lower Shield 1	1
6	H306 3160	Lower Shield 3	1
7	H306 3162	Lower Shield 5	1
8	H306 3161	Lower Shield 4	1
9	H306 3165	Upper Fusing Sheet	1
10	H306 3145	Rear Lock Guide	1
11	H306 3152	Lock Guide Pin	1
12	H306 3132	FCU Bracket - Short	4
13	H306 3144	Front Lock Guide	1
14	H306 3170	Fusing Front Shield	1
15	H306 3173	Fusing Rear Shield	1
16	H306 3142	Duct Sheet	1
17	H306 3416	Grounding Plate	1
18	H306 3123	Terminal Plate - OPC Drum	1
19	G029 1081	Grounding Plate - Drum	1
20	G029 1972	Shield Glass	1
21	H306 3155	Duct Shield 2	1
22	H306 3154	Duct Shield 1	1
23	H306 3193	Speaker Shield	1
24	H306 3115	Main Frame	1
25	H306 3127	Harness Bracket	1
26	H306 3197	Adjusting Screw	1
27	H306 3175	AIO Cap (NA/SVN)	1
27	H306 3176	AIO Cap (EU/ASIA/TWN)	1
27	H306 3256	AIO Cap (INF)	1
28	H306 3192	Spacer	1

Index No.	Part No.	Description	Q'ty Per Assembly
101	0451 3006B	Tapping Screw - M3x6	
102	0451 3020B	Tapping Screw - 3x20	
103	1105 0489	Harness Clamp - LWS 1316	
104	0450 4008B	Tapping Screw - 4x8	
105	0450 3008B	Tapping Screw - M3x8	





# 21.FRAMESECTION2(H306)



## 21.FRAMESECTION2(H306)

Index No.	Part No.	Description	Q'ty Per Assembly
1	H519 3039	Rubber Foot	4
2	H519 3045	Tray Left Guide	1
3	H519 3044	Tray Right Guide	1
4	H306 3133	Power Supply Cord Bracket (NA/TWN)	1
5	H521 3349	Rail	2
6	H519 3042	Bottom Plate Stopper	1
7	H519 3078	Tray Holder	2
8	H306 3346	Upper Stay	1
9	H515 3709	Edgeing	1
10	H306 3117	Front Support Plate - Long	1
11	H306 3147	Rear Support Plate	1
12	H306 3352	Sensor Bracket 2 - Paper End	1
13	H306 3119	Rear Support Plate	1
14	5409 1238	Rotary Catch	1
15	H519 3096	Lock Bracket	1
16	H306 3130	Front Cover Bracket	1
17	H306 3354	Feeler Bracket	1
18	H306 3128	PSU Bracket	1
19	H306 3347	Paper Feed Frame	1
20	H306 3168	Spring Plate	1
21	H306 3187	Front Stopper	1
22	H306 3441	Jack Cover	1
23	H306 4069	Power Supply Cord Cover (EU/ASIA)	1
24	H306 3188	Bracket Inlet (EU/ASIA)	1
25	H306 5220	Inlet (EU/ASIA)	1

Index No.	Part No.	Description	Q'ty Per Assembly
101	0451 3010B	Tapping Screw - M3x10	
102	0450 3008B	Tapping Screw - M3x8	
103	0451 3005B	Tapping Screw - M3x5	
104	0451 3006B	Tapping Screw - M3x6	
105	0450 4008B	Tapping Screw - 4x8	
106	1105 0344	Clamp	
107	1105 0488	Harness Clamp	
108	1105 0489	Harness Clamp - LWS 1316	
109	0954 4006B	Screw - M4X6	



## 22.FCU BOARD NA/TWN (H306)

### BAT

### CAPACITOR

SYMBOL NO.	INDEX NO.
BAT 1	135
BAT 2	136

SYMBOL NO.	INDEX NO.
C 1	206
C 2	210
C 3	207
C 4	210
C 5	210
C 6	208
C 7	310
C 8	310
C 9	210
C 10	210

SYMBOL NO.	INDEX NO.
C 11	310
C 12	209
C 13	209
C 14	310
C 15	292
C 16	290
C 17	310
C 18	310
C 19	310
C 20	310

SYMBOL NO.	INDEX NO.
C 21	310
C 22	310
C 23	292
C 24	209
C 25	310
C 26	310
C 27	310
C 28	310
C 29	310
C 30	209

SYMBOL NO.	INDEX NO.
C 31	----
C 32	310
C 33	----
C 34	310
C 35	----
C 36	----
C 37	----
C 38	303
C 39	303
C 40	310

SYMBOL NO.	INDEX NO.
C 41	310
C 42	310
C 43	310
C 44	310
C 45	212
C 46	----
C 47	212
C 48	310
C 49	293
C 50	----

SYMBOL NO.	INDEX NO.
C 51	----
C 52	----
C 53	----
C 54	303
C 55	295
C 56	295
C 57	295
C 58	310
C 59	310
C 60	310

### CAPACITOR

SYMBOL NO.	INDEX NO.
C 61	310
C 62	294
C 63	294
C 64	310
C 65	211
C 66	310
C 67	----
C 68	----
C 69	294
C 70	----

SYMBOL NO.	INDEX NO.
C 71	294
C 72	310
C 73	296
C 74	296
C 75	----
C 76	294
C 77	310
C 78	310
C 79	298
C 80	310

SYMBOL NO.	INDEX NO.
C 81	310
C 82	----
C 83	295
C 84	310
C 85	297
C 86	310
C 87	295
C 88	310
C 89	310
C 90	310

SYMBOL NO.	INDEX NO.
C 91	212
C 92	291
C 93	310
C 94	295
C 95	295
C 96	310
C 97	310
C 98	310
C 99	310
C 100	310

SYMBOL NO.	INDEX NO.
C 101	310
C 102	294
C 103	310
C 104	290
C 105	310
C 106	302
C 107	302
C 108	302
C 109	302
C 110	309

SYMBOL NO.	INDEX NO.
C 111	214
C 112	212
C 113	310
C 114	310
C 115	310
C 116	310
C 117	310
C 118	215
C 119	310
C 120	310

SYMBOL NO.	INDEX NO.
C 121	295
C 122	295
C 123	310
C 124	310
C 125	295
C 126	310
C 127	212
C 128	310
C 129	310
C 130	310

## 22.FCU BOARD NA/TWN (H306)

### CAPACITOR

SYMBOL NO.	INDEX NO.	SYMBOL NO.	INDEX NO.	SYMBOL NO.	INDEX NO.	SYMBOL NO.	INDEX NO.	SYMBOL NO.	INDEX NO.	SYMBOL NO.	INDEX NO.		
C 131	310	C 141	310	C 151	310	C 161	310	C 171	310	C 181	310	C 191	310
C 132	310	C 142	310	C 152	310	C 162	310	C 172	----	C 182	295	C 192	310
C 133	310	C 143	310	C 153	310	C 163	300	C 173	213	C 183	295	C 193	310
C 134	295	C 144	310	C 154	310	C 164	300	C 174	----	C 184	310	C 194	310
C 135	310	C 145	310	C 155	310	C 165	308	C 175	310	C 185	310	C 195	310
C 136	310	C 146	310	C 156	310	C 166	308	C 176	310	C 186	295	C 196	310
C 137	295	C 147	310	C 157	304	C 167	308	C 177	304	C 187	295	C 197	310
C 138	310	C 148	310	C 158	211	C 168	310	C 178	310	C 188	295	C 198	310
C 139	310	C 149	310	C 159	310	C 169	310	C 179	310	C 189	310	C 199	310
C 140	310	C 150	310	C 160	310	C 170	211	C 180	301	C 190	310	C 200	310

### CAPACITOR

SYMBOL NO.	INDEX NO.	SYMBOL NO.	INDEX NO.	SYMBOL NO.	INDEX NO.	SYMBOL NO.	INDEX NO.	SYMBOL NO.	INDEX NO.	SYMBOL NO.	INDEX NO.
C 201	310	C 211	308	C 221	301	C 231	309	C 241	303	C 251	309
C 202	310	C 212	310	C 222	299	C 232	303	C 242	306	C 252	303
C 203	301	C 213	305	C 223	310	C 233	303	C 243	306	C 253	303
C 204	310	C 214	310	C 224	310	C 234	303	C 244	306	C 254	310
C 205	----	C 215	310	C 225	310	C 235	----	C 245	306	C 255	310
C 206	307	C 216	309	C 226	307	C 236	295	C 246	303	C 256	310
C 207	310	C 217	309	C 227	310	C 237	295	C 247	310	C 257	310
C 208	216	C 218	310	C 228	309	C 238	309	C 248	310		
C 209	----	C 219	309	C 229	309	C 239	295	C 249	309		
C 210	295	C 220	310	C 230	310	C 240	309	C 250	309		

## 22.FCU BOARD NA/TWN (H306)

### CONNECTOR

SYMBOL NO.	INDEX NO.
CN 1	127
CN 2	128
CN 3	----
CN 4	----
CN 5	----
CN 6	----
CN 7	----
CN 8	----
CN 9	----
CN 10	----

SYMBOL NO.	INDEX NO.
CN 11	123
CN 12	106
CN 13	113
CN 14	115
CN 15	126
CN 16	116
CN 17	121
CN 18	112
CN 19	117
CN 20	110

SYMBOL NO.	INDEX NO.
CN 21	109
CN 22	----
CN 23	122
CN 24	105
CN 25	----
CN 26	----
CN 27	----
CN 28	----
CN 29	----
CN 30	---

SYMBOL NO.	INDEX NO.
CN 31	125
CN 32	111
CN 33	118
CN 34	114
CN 35	108
CN 36	104
CN 37	120
CN 38	----
CN 39	----
CN 40	----

SYMBOL NO.	INDEX NO.
CN 41	103
CN 42	----
CN 43	----
CN 44	----
CN 45	----
CN 46	107
CN 47	102
CN 48	124
CN 49	----
CN 50	119

SYMBOL NO.	INDEX NO.
CN 51	131
CN 52	130
CN 53	132
CN 54	129

### DA

SYMBOL NO.	INDEX NO.
DA2	152
DA3	152
DA4	152
DA5	160
DA6	160
DA8	158

### DIODE

SYMBOL NO.	INDEX NO.
D 1	150
D 2	150
D 3	150
D 4	150
D 5	150
D 6	150
D 7	150
D 8	150
D 9	----
D 10	----

SYMBOL NO.	INDEX NO.
D 11	----
D 12	150
D 13	101
D 14	----
D 15	----
D 16	157
D 17	150
D 18	150
D 19	150
D 20	155

SYMBOL NO.	INDEX NO.
D 21	154
D 22	150
D 23	153
D 24	159

### FILTER

SYMBOL NO.	INDEX NO.
FIL 1	218
FIL 2	218
FIL 3	218
FIL 4	218
FIL 5	218
FIL 6	226
FIL 7	218
FIL 8	226
FIL 9	224
FIL 10	226

SYMBOL NO.	INDEX NO.
FIL 11	226
FIL 12	226
FIL 13	225
FIL 14	218
FIL 15	224
FIL 16	225
FIL 17	218
FIL 18	225
FIL 19	218
FIL 20	225

SYMBOL NO.	INDEX NO.
FIL 21	225
FIL 22	225
FIL 23	224
FIL 24	225
FIL 25	224
FIL 26	224
FIL 27	225
FIL 28	225
FIL 29	222
FIL 30	227

SYMBOL NO.	INDEX NO.
FIL 31	224
FIL 32	224
FIL 33	224
FIL 34	227
FIL 35	224
FIL 36	221
FIL 37	221
FIL 38	221
FIL 39	222
FIL 40	222

## 22.FCU BOARD NA/TWN (H306)

### FILTER

SYMBOL NO.	INDEX NO.
FIL 41	222
FIL 42	222
FIL 43	224
FIL 44	224
FIL 45	224
FIL 46	228
FIL 47	228
FIL 48	228
FIL 49	228
FIL 50	221

### HIC

SYMBOL NO.	INDEX NO.
HIC1	1

### IC

SYMBOL NO.	INDEX NO.
IC 1	167
IC 2	183
IC 3	161
IC 4	182
IC 5	161
IC 6	162
IC 7	172
IC 8	183
IC 9	183
IC 10	7

SYMBOL NO.	INDEX NO.
IC 11	7
IC 12	----
IC 13	183
IC 14	177
IC 15	----
IC 16	183
IC 17	166
IC 18	189
IC 19	----
IC 20	180

SYMBOL NO.	INDEX NO.
IC 21	6
IC 22	165
IC 23	175
IC 24	163
IC 25	183
IC 26	8
IC 27	----
IC 28	173
IC 29	2
IC 30	9

SYMBOL NO.	INDEX NO.
IC 31	10
IC 32	----
IC 33	5
IC 34	313
IC 35	11
IC 36	311
IC 37	312
IC 38	312
IC 39	313
IC 40	313

SYMBOL NO.	INDEX NO.
IC 41	3
IC 42	181
IC 43	311
IC 44	312
IC 45	171
IC 46	169
IC 47	173
IC 48	187
IC 49	188
IC 50	176

### IC

SYMBOL NO.	INDEX NO.
IC 51	190
IC 52	170
IC 53	168
IC 54	170
IC 55	170
IC 56	174
IC 57	170
IC 58	178
IC 59	161
IC 60	179

### JP

SYMBOL NO.	INDEX NO.
JP 15	264
JP 39	264
JP 40	248
JP 43	264
JP 44	264
JP 45	264
JP 48	264
JP 51	264
JP 54	273
JP 57	273

SYMBOL NO.	INDEX NO.
JP 59	264
JP 60	273
JP 61	273

### L

SYMBOL NO.	INDEX NO.
L 1	217
L 2	217
L 5	219
L 6	220
L 11	223

### OSC

SYMBOL NO.	INDEX NO.
OSC 1	192
OSC 2	191
OSC 5	193
OSC 6	4
OSC 11	195
OSC 13	194
OSC 14	196

### Q

SYMBOL NO.	INDEX NO.
Q 1	148
Q 2	140
Q 3	147
Q 4	151
Q 5	144
Q 6	149
Q 7	137
Q 8	139
Q 9	146
Q 10	139

SYMBOL NO.	INDEX NO.
Q 11	139
Q 12	139
Q 13	139
Q 14	139
Q 15	164
Q 16	164
Q 17	147
Q 18	139
Q 19	139
Q 20	----

## 22.FCU BOARD NA/TWN (H306)

Q

SYMBOL NO.	INDEX NO.
Q 21	138
Q 22	138
Q 23	137
Q 24	138
Q 25	----
Q 26	142
Q 27	139
Q 28	143
Q 29	141
Q 30	140

SYMBOL NO.	INDEX NO.
Q 31	141

REG

SYMBOL NO.	INDEX NO.
REG 1	186
REG 2	185

RESISTOR

SYMBOL NO.	INDEX NO.
R 1	197
R 2	197
R 3	232
R 4	236
R 5	131
R 6	197
R 7	284
R 8	199
R 9	199
R 10	199

SYMBOL NO.	INDEX NO.
R 11	199
R 12	198
R 13	----
R 14	----
R 15	258
R 16	260
R 17	258
R 18	260
R 19	----
R 20	----

SYMBOL NO.	INDEX NO.
R 21	----
R 22	260
R 23	260
R 24	275
R 25	260
R 26	275
R 27	275
R 28	275
R 29	286
R 30	275

SYMBOL NO.	INDEX NO.
R 31	275
R 32	286
R 33	----
R 34	----
R 35	----
R 36	234
R 37	255
R 38	240
R 39	242
R 40	275

CAPACITOR

SYMBOL NO.	INDEX NO.
R 41	275
R 42	250
R 43	----
R 44	235
R 45	----
R 46	242
R 47	248
R 48	242
R 49	248
R 50	240

SYMBOL NO.	INDEX NO.
R 51	240
R 52	260
R 53	240
R 54	242
R 55	248
R 56	248
R 57	240
R 58	236
R 59	261
R 60	242

SYMBOL NO.	INDEX NO.
R 61	242
R 62	242
R 63	276
R 64	288
R 65	----
R 66	235
R 67	240
R 68	240
R 69	240
R 70	254

SYMBOL NO.	INDEX NO.
R 71	240
R 72	240
R 73	240
R 74	240
R 75	248
R 76	240
R 77	287
R 78	242
R 79	----
R 80	261

SYMBOL NO.	INDEX NO.
R 81	260
R 82	240
R 83	253
R 84	----
R 85	----
R 86	----
R 87	----
R 88	----
R 89	240
R 90	240

SYMBOL NO.	INDEX NO.
R 91	242
R 92	241
R 93	242
R 94	242
R 95	----
R 96	243
R 97	----
R 98	----
R 99	242
R 100	252

SYMBOL NO.	INDEX NO.
R 101	241
R 102	241
R 103	242
R 104	250
R 105	243
R 106	246
R 107	248
R 108	248
R 109	248
R 110	274

## 22.FCU BOARD NA/TWN (H306)

### RESISTOR

SYMBOL NO.	INDEX NO.	SYMBOL NO.	INDEX NO.	SYMBOL NO.	INDEX NO.	SYMBOL NO.	INDEX NO.	SYMBOL NO.	INDEX NO.	SYMBOL NO.	INDEX NO.	SYMBOL NO.	INDEX NO.
R 111	243	R 121	----	R 131	240	R 141	248	R 151	285	R 161	243	R 171	----
R 112	243	R 122	240	R 132	240	R 142	242	R 152	281	R 162	243	R 172	235
R 113	----	R 123	255	R 133	242	R 143	242	R 153	----	R 163	244	R 173	248
R 114	242	R 124	240	R 134	242	R 144	240	R 154	240	R 164	249	R 174	261
R 115	243	R 125	248	R 135	----	R 145	241	R 155	242	R 165	259	R 175	275
R 116	277	R 126	----	R 136	273	R 146	242	R 156	252	R 166	240	R 176	268
R 117	250	R 127	260	R 137	249	R 147	240	R 157	243	R 167	240	R 177	----
R 118	277	R 128	260	R 138	242	R 148	240	R 158	252	R 168	240	R 178	243
R 119	263	R 129	240	R 139	----	R 149	259	R 159	252	R 169	249	R 179	248
R 120	240	R 130	240	R 140	248	R 150	285	R 160	252	R 170	281	R 180	248

### RESISTOR

SYMBOL NO.	INDEX NO.	SYMBOL NO.	INDEX NO.	SYMBOL NO.	INDEX NO.	SYMBOL NO.	INDEX NO.	SYMBOL NO.	INDEX NO.	SYMBOL NO.	INDEX NO.	SYMBOL NO.	INDEX NO.
R 181	240	R 191	260	R 201	248	R 211	275	R 221	260	R 231	260	R 241	242
R 182	240	R 192	260	R 202	----	R 212	----	R 222	260	R 232	260	R 242	247
R 183	230	R 193	260	R 203	274	R 213	240	R 223	279	R 233	241	R 243	245
R 184	229	R 194	260	R 204	274	R 214	240	R 224	282	R 234	241	R 244	256
R 185	229	R 195	260	R 205	----	R 215	260	R 225	283	R 235	241	R 245	242
R 186	260	R 196	260	R 206	281	R 216	260	R 226	256	R 236	241	R 246	243
R 187	260	R 197	242	R 207	----	R 217	260	R 227	275	R 237	248	R 247	247
R 188	260	R 198	260	R 208	----	R 218	260	R 228	278	R 238	236	R 248	250
R 189	260	R 199	260	R 209	----	R 219	260	R 229	257	R 239	262	R 249	242
R 190	260	R 200	260	R 210	289	R 220	260	R 230	260	R 240	243	R 250	243



## 22.FCU BOARD NA/TWN (H306)

### RESISTOR

SYMBOL NO.	INDEX NO.
R 251	260
R 252	242
R 253	236
R 254	280
R 255	242
R 256	240
R 257	240
R 258	240
R 259	----
R 260	248

SYMBOL NO.	INDEX NO.
R 261	248
R 262	236
R 263	261
R 264	251
R 265	251
R 266	251
R 267	251
R 268	261
R 269	267
R 270	265

SYMBOL NO.	INDEX NO.
R 271	266
R 272	271
R 273	272
R 274	272
R 275	269
R 276	270
R 277	238
R 278	237
R 279	237
R 280	233

SYMBOL NO.	INDEX NO.
R 281	246
R 282	261
R 283	261
R 284	237
R 285	237
R 286	254
R 287	254
R 288	254
R 289	239
R 290	239

SYMBOL NO.	INDEX NO.
R 291	239
R 292	239
R 293	----
R 294	242
R 295	242
R296	248
R297	243

### RN

SYMBOL NO.	INDEX NO.
RN 1	201
RN 2	201
RN 3	201
RN 4	201
RN 5	203
RN 6	203
RN 7	203
RN 8	203
RN 9	201
RN 10	203

SYMBOL NO.	INDEX NO.
RN 11	203
RN 12	203
RN 13	203
RN 14	203
RN 15	203
RN 16	203
RN 17	203
RN 18	203
RN 19	204
RN 20	202

### CAPACITOR

SYMBOL NO.	INDEX NO.
RN 21	203
RN 22	203
RN 23	201
RN 24	201
RN 25	201
RN 26	201
RN 27	203
RN 28	203
RN 29	203
RN 30	203

SYMBOL NO.	INDEX NO.
RN 31	203
RN 32	203
RN 33	203
RN 34	203
RN 35	203
RN 36	205
RN 37	205
RN 38	203
RN 39	203
RN 40	203

SYMBOL NO.	INDEX NO.
RN 41	203
RN 42	203
RN 43	203
RN 44	203
RN 45	200
RN 46	200
RN 47	205

### SWITCH

SYMBOL NO.	INDEX NO.
SW 1	134
SW 3	133

## 22.FCU BOARD NA/TWN (H306)

Index No.	Part No.	Description	Q'ty Per Assembly
*	H306 6120	FCU Board - NA	1
*	H306 6130	FCU Board - TWN	1
1	H306 7103	IC - HICRW2	1
2	H515 7101	IC - LSI - LPC	1
3	H515 7102	IC - LSI - VPP4F	1
4	H515 7121	Oscillator - MC-306-32.768Khz	1
5	H519 7100	LSI QPCR30	1
6	H521 7150	IC - H5217150	1
7	H545 7100	IC - EXIOF	1
8	H547 7135	V.34 Modem R288F-27	1
9	H551 7106	LSI SCP	1
10	H551 7107	ROM - 4MBit	1
11	G025 7100	IC - D65636-123	1

Index No.	Part No.	Description	Q'ty Per Assembly
101	1002 0307	Jumper Wire	
102	1102 4201	Connector - 2P	
103	1102 4203	CT Header - 4P	
104	1102 4205	CT Header- 6p	
105	1102 4207	Connector - 8P	
106	1102 4208	Connector - 9P	
107	1102 4209	CT Header - 10P	
108	1102 4211	CT Header - 12P	
109	1102 4212	CT Header - 15P	
110	1102 4620	CT Header - 3P	
111	1102 4622	CT Connector - 5p	
112	1102 4623	CT Connector - 6p	
113	1102 4624	CT Connector - 7p	
114	1102 4627	Connector - 10P	
115	1102 4631	CT Connector - 2p	
116	1102 4634	CT Connector - 5p	
117	1102 4635	Connector - 6P	
118	1102 4639	CT Connector - 10p	
119	1102 4643	CT Connector - 2p	
120	1102 4646	Connector - 5P	
121	1102 4647	Connector - 6P	
122	1102 4650	Connector - 9P	
123	1102 4651	Connector - 10P	
124	1102 5570	Connector - 24P	
125	1102 5844	Connector - 5566-02A	
126	1102 6307	Connector - 14P	
127	1102 7029	Connector - 8p - 53375-0810	
128	1102 7093	Connector - 53375-0610	
129	1102 7390	Connector TX24-100R-6ST-H1	
130	1102 8036	Connector - 68P	
131	1102 8106	Connector-53495-8817	
132	1104 0739	SIMM Socket 72p	
133	1204 2394	Slide Switch - JSC1210-0101	
134	1204 2502	Switch - HSW1060-01-020	
135	1206 0081	Lithium Battery - MI2430-HJ1	

Index No.	Part No.	Description	Q'ty Per Assembly
136	1206 0082	Lithium Cell- CR2450-HJ3	
137	1400 0355	Transistor:DTC144EKA	
138	1400 0373	Transistor - DTA114YKA	
139	1400 0392	Transistor - DTC114EK	
140	1400 0395	Transistor:DTA114EKA	
141	1400 0398	Transistor - 2SC2412K	
142	1400 0555	Transistor - DTC143EK	
143	1400 0595	Transistor - DTB123TK	
144	1400 0649	Transistor - DTC143TK	
145	1400 0680	Transistor - 2SA1813	
146	1400 0711	Transistor-2SB1241	
147	1400 0733	Transistor - 2SD1866	
148	1400 0747	Transistor-2SD1863	
149	1400 0752	Transistor - FMY6	
150	1401 0821	Diode - 1SS133	
151	1401 1051	Transistor - 2SJ374	
152	1402 0478	Diode - 1SS226TE85L	
153	1402 1029	Diode - 1SS293	
154	1402 1185	Diode - ERA15-01 1A	
155	1402 1237	Diode - 60V - 1A	
156	1402 1296	Zener Diode - Hz3c1	
157	1402 1336	Diode - 1SS355	
158	1402 1337	Diode-RB731U	
159	1402 1458	Diode:1SS315	
160	1402 1459	Diode-RB706F-40	
161	1407 1878	IC - TC4053BF	
162	1407 2187	TTLIC - SN74LS07NS	
163	1407 2210	IC - T6668A	
164	1407 2219	IC - TD62003AP	
165	1407 2945	Voltage Detector - RH5VA43AX	
166	1407 3293	IC - TC74HC161AF	
167	1407 3543	IC - SLA7024M	
168	1407 4300	IC - TC74VHC32F	
169	1407 4594	CMOS IC - TC74VHC00F	
170	1407 4605	CMOS IC - TC74VHC14F	

Index No.	Part No.	Description	Q'ty Per Assembly
171	1407 4615	IC - TC74VHC02F	
172	1407 4713	IC-SLA7026M(LF872)	
173	1407 4718	IC - TC74VHC08F	
174	1407 4726	IC - CXP2006M	
175	1407 4728	CMOSIC-TC7W08FU	
176	1407 4804	IC-TC7SH08FU	
177	1407 4835	IC - TC74VHC74F	
178	1407 4874	CMOSIC-74VHC32 TSSOP	
179	1407 4902	IC-74VHC157:TSSOP	
180	1407 5046	CMOS IC - TC7SET02FU	
181	1407 5061	IC - Flash Memory - 16MX8/16 70NS	
182	1408 0427	IC - LM393PS	
183	1408 0461	IC - NJM4558M	
184	1408 0916	Voltage Regulator - RH5RA40AA	
185	1408 1012	IC - L78050CV	
186	1408 1017	Regurator - TA7812S 12V 1A	
187	1408 1059	Voltage Regulator - RH5VL43CC	
188	1408 1191	DC/DC Converter - RH5RI501B	
189	1408 1237	IC - BU8872FS	
190	1408 1333	IC - BA6162F	
191	1503 0069	Oscillator - 8.00MHZ	
192	1503 0781	Oscillator - CST 4.19MGW213	
193	1503 0825	Oscillator - 8MHZ	
194	1503 0889	Oscillator - 38.00053MHZ	
195	1503 0890	Oscillator - 42.22132MHZ	
196	1503 0906	Crystal Oscilator:28.224Mhz	
197	1600 1552	Resistor - 47Ω ±5% 2W	
198	1600 1625	Resistor - 100 Ω 1/2W ±5%	
199	1601 5362	Resistor - 1Ω ±5% 1W	
200	1601 7751	Resistor - 4.7KΩ ±5%	
201	1601 7752	Resistor Array - 10K Ω ±5%	
202	1601 7757	Resistor 0Ω	
203	1601 7760	Resistor Array	
204	1601 7871	Resistor - 68Ω ±5% 1/16W	
205	1601 7872	Resistor Array - 220 Ω ±5% 1/16W	

Index No.	Part No.	Description	Q'ty Per Assembly
206	1604 4298	Capacitor 220 $\mu$ F $\pm$ 20% 25V	
207	1604 4477	Capacitor - 10 $\mu$ F $\pm$ 20% 35V	
208	1604 4478	Capacitor:220 $\mu$ F $\pm$ 20% 35V	
209	1604 4575	Capacitor 27 $\mu$ F $\pm$ 20% 50V	
210	1604 4661	Capacitor:100 $\mu$ F $\pm$ 20% 50V	
211	1605 0724	Capacitor - 510pF	
212	1605 0853	Condensor - 1 $\mu$ F+80/20% 16V	
213	1605 0860	Capacitor - 0.068 $\mu$ F $\pm$ 10% 50V	
214	1605 0925	Capacitor - 0.22 $\mu$ F $\pm$ 10% 16V	
215	1605 0945	Capacitor - 4.7 $\mu$ F+80-20	
216	1605 1055	Capacitor-0.022mf: $\pm$ 10%25V	
217	1607 0388	SBC Coil - 10UH	
218	1607 0536	Fuse Core - EXCELDR35C	
219	1607 0808	Inductor BLM11B141DPB	
220	1607 0821	Coil - ELD10E221	
221	1607 0824	Filter BLM11A601SPB	
222	1607 0859	Fuse - BLM21B102S	
223	1607 0917	Inductor - LK2125 8R2K	
224	1607 0973	Inductor - BLM11A121SPB	
225	1607 0978	Inductor - BLM21P300SPB	
226	1607 1091	Filter-NFM40P12C223	
227	1607 1124	Filter- BLM11A471SGPB	
228	1607 1142	Filter-BLM11B121SBPB	
229	1630 1151	Resistor - 150 $\Omega$ $\pm$ 5% 1/4W	
230	1630 1201	Resistor - 200 $\Omega$ $\pm$ 5%1/4W	
231	1630 1562	Resistor - 5.6 $\Omega$ $\pm$ 5% 1/4W	
232	1630 1681	Resistor - 600 $\Omega$ $\pm$ 5%	
233	1630 2103	Resistor - 10K $\Omega$ 1/8W	
234	1630 2471	Resistor - 470 $\Omega$ 1/8W $\pm$ 5%	
235	1630 3100	Resistor - 10 $\Omega$ $\pm$ 5% 1/10W	
236	1630 3101	Resistor - 100 $\Omega$ - 1/10W	
237	1630 3103	Resistor - 10K $\Omega$ 1/10W $\pm$ 5%	
238	1630 3163	Resistor - 16K $\Omega$ $\pm$ 5% 1/10W	
239	1630 3561	Resistor - 560 $\Omega$ $\pm$ 5% 1/10W	
240	1630 4101	Resistor - 100 $\Omega$ $\pm$ 5% 1/16W	

Index No.	Part No.	Description	Q'ty Per Assembly
241	1630 4102	Resistor - 1.0K $\Omega$ $\pm$ 5% 1/16W	
242	1630 4103	Resistor - 10K $\Omega$ $\pm$ 5% 1/16W	
243	1630 4104	Resistor - 100 $\Omega$ $\pm$ 5% 1/16W	
244	1630 4105	Resistor - 1.0M $\Omega$ $\pm$ 5% 1/16W	
245	1630 4123	Resistor - 12k $\Omega$ - $\pm$ 5% - 1/16W	
246	1630 4152	Resistor - 1.5K $\Omega$ $\pm$ 5% 1/16W	
247	1630 4184	Resistor - 180k $\Omega$ $\pm$ 5% 1/16W	
248	1630 4201	Resistor - 200 $\Omega$ - $\pm$ 5% - 1/16W	
249	1630 4204	Resistor - 200K $\Omega$ $\pm$ 5% 1/16W	
250	1630 4223	Resistor - 22K $\Omega$ $\pm$ 5% 1/16W	
251	1630 4242	Resistor - 2.4k $\Omega$ - $\pm$ 5% - 1/16W	
252	1630 4273	Resistor - 27k $\Omega$ - $\pm$ 5% - 1/16W	
253	1630 4274	Resistor:270k $\Omega$ : $\pm$ 5%:1/16W	
254	1630 4330	Resistor - 33 $\Omega$ $\pm$ 5% 1/8W	
255	1630 4331	Resistor - 330 $\Omega$ $\pm$ 5% 1/16W	
256	1630 4332	Resistor - 3.3K $\Omega$ $\pm$ 5% 1/16W	
257	1630 4334	Resistor - 330K $\Omega$ $\pm$ 5% 1/16W	
258	1630 4393	Resistor - 39k $\Omega$ - $\pm$ 5% - 1/16W	
259	1630 4394	Resistor - 390k $\Omega$ - $\pm$ 5% - 1/16W	
260	1630 4472	Resistor - 4.7K $\Omega$ $\pm$ 5% 1/16W	
261	1630 4473	Resistor - 47k $\Omega$ - $\pm$ 5% - 1/16W	
262	1630 4513	Resistor - 51k $\Omega$ - $\pm$ 5% - 1/16W	
263	1630 4562	Resistor - 5.6k $\Omega$ - $\pm$ 5% - 1/16W	
264	1633 0000	Resistor - 0 $\Omega$ 1/10W	
265	1633 1050	Resistor - 105 $\Omega$ $\pm$ 1% 1/10W	
266	1633 1051	Resistor - 1.05 $\Omega$ $\pm$ 1% 1/10W	
267	1633 2370	Resistor - 237 $\Omega$ $\pm$ 1% 1/10W	
268	1633 2490	Resistor - 249 $\Omega$ - $\pm$ 1% - 1/10W	
269	1633 2800	Resistor - 280 $\Omega$ - $\pm$ 1% - 1/10W	
270	1633 3489	Resistor - 34.8 $\Omega$ $\pm$ 1% 1/10W	
271	1633 6659	Resistor - 66.5 $\Omega$ $\pm$ 1% 1/10W	
272	1633 9310	Resistor - 931 $\Omega$ $\pm$ 1% 1/10W	
273	1634 0000	Resistor - 0 $\Omega$ 1/16W	
274	1634 1001	Resistor - 1K $\Omega$ $\pm$ 5% 1/16W	
275	1634 1002	Resistor - 10 $\Omega$ $\pm$ 5% 1/16W	

Index No.	Part No.	Description	Q'ty Per Assembly
276	1634 1243	Resistor - 124K $\Omega$ $\pm$ 1% 1/16W	
277	1634 1400	Resistor - 140 $\Omega$ $\pm$ 1% 1/16W	
278	1634 1652	Resistor-16.5k $\Omega$ $\pm$ 1% 1/16W	
279	1634 1741	Resistor-1.74k $\Omega$ $\pm$ 1% 1/16W	
280	1634 1803	Resistor - 180K $\Omega$ $\pm$ 1% 1/16W	
281	1634 2002	Resistor - 20K $\Omega$ $\pm$ 1% 1/16W	
282	1634 3301	Resistor - 3.3K $\Omega$ $\pm$ 1% 1/16W	
283	1634 3302	Resistor - 33.0K $\Omega$ $\pm$ 1%	
284	1634 3902	Resistor - 39.0k $\Omega$ - $\pm$ 1% - 1/16W	
285	1634 4022	Resistor - 40.2K $\Omega$ $\pm$ 1% 1/16W	
286	1634 4321	Resistor- 4.32k $\Omega$ $\pm$ 1% 1/16W	
287	1634 4700	Resistor - 470 $\Omega$ $\pm$ 1% 1/16W	
288	1634 6192	Resistor - 61.9 $\Omega$ $\pm$ 1% 1/16W	
289	1634 6801	Resistor - 6.8K $\Omega$ $\pm$ 1% 1/8W	
290	1640 0221	Capacitor - 220 $\mu$ F- $\pm$ 20% 10V	
291	1640 2221	Capacitor - 220 $\mu$ F- $\pm$ 20% 25V	
292	1640 5101	Capacitor - 100 $\mu$ F $\pm$ 20% 50V	
293	1642 0101	Capacitor - 100 $\mu$ F $\pm$ 20% 50V	
294	1642 2100	Capacitor - 10 $\mu$ F $\pm$ 20% 25V	
295	1660 2101	Capacitor - 100pF - $\pm$ 10% - 50V	
296	1660 2120	Capacitor - 12 pF $\pm$ 5% 50V	
297	1660 2150	Capacitor - 15pF $\pm$ 5% 50V	
298	1660 2180	Capacitor 18pF $\pm$ 5% 50V	
299	1660 2181	Capacitor- 180pF $\pm$ 5% 50V	
300	1660 2330	Capacitor - 33pF - $\pm$ 5% - 50V	
301	1660 2331	Capacitor - 330pF $\pm$ 5% 50V	
302	1660 2470	Capacitor - 47pF $\pm$ 5% 50V	
303	1660 2471	Capacitor - 470pF - $\pm$ 5% - 50V	
304	1660 4102	Capacitor - 1000pF $\pm$ 10% 50V	
305	1660 4103	Capacitor - 10000pF - $\pm$ 10% - 50V	
306	1660 4222	Capacitor - 2200pF - $\pm$ 10% - 50V	
307	1660 4332	Capacitor - 3300pF - $\pm$ 10% - 50V	
308	1660 6103	Capacitor - 10000pF - +80%-20%50V	
309	1660 7104	Capacitor - 100000pF 50V	
310	1660 8104	Capacitor - 0.1 $\mu$ F+80-20% 25V	

Index No.	Part No.	Description	Q'ty Per Assembly
311	1902 0041	IC - 1M X8 70NS G10	
312	1903 1015	DRAM - 16M 1MX16 60ns EDO G8	
313	1904 0013	SRAM - 256K X8 20ns G2	

## 23.FCU BOARD EU (H306)

### BAT CAPACITOR

SYMBOL NO.	INDEX NO.	SYMBOL NO.	INDEX NO.	SYMBOL NO.	INDEX NO.	SYMBOL NO.	INDEX NO.	SYMBOL NO.	INDEX NO.	SYMBOL NO.	INDEX NO.	SYMBOL NO.	INDEX NO.
BAT1	135	C1	207	C11	314	C21	314	----	---	C41	314	C51	215
BAT2	136	C2	212	C12	211	C22	314	C32	314	C42	314	C52	208
		C3	209	C13	211	C23	296	----	---	C43	314	C53	314
		C4	212	C14	314	C24	211	C34	314	C44	314	C54	307
		C5	212	C15	296	C25	314	----	---	C45	216	C55	299
		C6	210	C16	294	C26	314	----	---	----	---	C56	299
		C7	314	C17	314	C27	314	----	---	C47	216	C57	299
		C8	314	C18	314	C28	314	C38	307	C48	314	C58	314
		C9	212	C19	314	C29	314	C39	307	C49	297	C59	314
		C10	212	C20	314	C30	211	C40	314	C50	314	C60	314

### CAPACITOR

SYMBOL NO.	INDEX NO.	SYMBOL NO.	INDEX NO.	SYMBOL NO.	INDEX NO.	SYMBOL NO.	INDEX NO.	SYMBOL NO.	INDEX NO.	SYMBOL NO.	INDEX NO.	SYMBOL NO.	INDEX NO.
C61	314	C71	298	C81	314	C91	216	C101	314	C111	217	C121	299
C62	298	C72	314	----	---	C92	295	----	---	C112	216	C122	299
C63	298	C73	300	C83	299	C93	314	C103	314	C113	314	C123	314
C64	314	C74	300	C84	314	C94	299	C104	294	C114	314	C124	314
C65	214	----	---	C85	301	C95	299	C105	314	C115	314	C125	299
C66	314	C76	298	C86	314	C96	314	C106	306	C116	314	C126	314
----	---	C77	314	C87	299	C97	314	C107	306	C117	314	C127	216
----	---	C78	314	C88	314	C98	314	C108	306	C118	218	C128	314
C69	298	C79	302	C89	314	C99	314	C109	306	C119	314	C129	314
----	---	C80	314	C90	314	C100	314	C110	313	C120	314	C130	314

## 23.FCU BOARD EU (H306)

### CAPACITOR

SYMBOL NO.	INDEX NO.	SYMBOL NO.	INDEX NO.	SYMBOL NO.	INDEX NO.	SYMBOL NO.	INDEX NO.	SYMBOL NO.	INDEX NO.	SYMBOL NO.	INDEX NO.	SYMBOL NO.	INDEX NO.
C131	314	C141	314	C151	314	C161	314	C171	314	C181	314	C191	314
C132	314	---	---	C152	314	C162	314	---	---	C182	299	C192	314
C133	314	C143	314	C153	314	C163	304	C173	213	C183	299	C193	314
C134	299	C144	314	C154	314	C164	304	---	---	C184	314	C194	314
C135	314	C145	314	C155	314	C165	312	C175	314	C185	314	C195	314
C136	314	C146	314	C156	314	C166	312	C176	314	C186	299	C196	314
C137	299	C147	314	C157	308	C167	312	C177	308	C187	299	C197	314
C138	314	C148	314	C158	214	C168	314	C178	314	C188	299	C198	314
C139	314	C149	314	C159	314	C169	314	C179	314	C189	314	C199	314
C140	314	C150	314	C160	314	C170	214	C180	305	C190	314	C200	314

### CAPACITOR

SYMBOL NO.	INDEX NO.	SYMBOL NO.	INDEX NO.	SYMBOL NO.	INDEX NO.	SYMBOL NO.	INDEX NO.	SYMBOL NO.	INDEX NO.	SYMBOL NO.	INDEX NO.	SYMBOL NO.	INDEX NO.
C201	314	C211	312	C221	305	C231	313	C241	307	C251	313	CN1	127
C202	314	C212	314	C222	303	C232	307	C242	310	C252	307	CN2	128
C203	305	C213	309	C223	314	C233	307	C243	310	C253	307	---	---
C204	314	C214	314	C224	314	C234	307	C244	310	C254	314	---	---
---	---	C215	314	C225	314	---	---	C245	310	C255	314	---	---
C206	311	C216	313	C226	311	C236	299	C246	307	C256	314	---	---
C207	314	C217	313	C227	314	C237	299	C247	314	C257	314	---	---
C208	219	C218	314	C228	313	C238	313	C248	314	---	---	---	---
---	---	C219	313	C229	313	C239	299	C249	313	---	---	---	---
C210	299	C220	314	C230	314	C240	313	C250	313	---	---	---	---

### CONNECTOR

## 23.FCU BOARD EU (H306)

### CONNECTOR

SYMBOL NO.	INDEX NO.
CN11	123
CN12	106
CN13	113
CN14	115
CN15	126
CN16	116
CN17	121
CN18	112
CN19	117
CN20	110

SYMBOL NO.	INDEX NO.
CN21	109
CN22	103
CN23	122
CN24	105
---	---
---	---
---	---
---	---
---	---

SYMBOL NO.	INDEX NO.
CN31	125
CN32	111
CN33	118
CN34	114
CN35	108
CN36	104
CN37	120
---	---
---	---
---	---

SYMBOL NO.	INDEX NO.
CN41	102
CN46	107
CN47	101
CN48	124
---	---
CN50	119
CN51	132
CN52	131
CN53	130
CN54	129

### DIODE

SYMBOL NO.	INDEX NO.
D1	150
D2	150
D3	150
D4	150
D5	150
D6	150
D7	150
D8	150
D9	159
D10	150

SYMBOL NO.	INDEX NO.
---	---
D12	150
D13	318
D14	150
D15	150
D16	157
D17	150
D18	150
D19	150
D20	155

SYMBOL NO.	INDEX NO.
D21	154
D22	150
D23	153
D24	160

### DA

SYMBOL NO.	INDEX NO.
---	---
DA2	152
DA3	152
DA4	152
DA5	161
DA6	161
DA8	158

### FILTER

SYMBOL NO.	INDEX NO.
FIL1	221
FIL2	221
FIL3	221
FIL4	221
FIL5	221
FIL6	229
FIL7	221
FIL8	229
FIL9	227
FIL10	229

SYMBOL NO.	INDEX NO.
FIL11	229
FIL12	229
FIL13	228
FIL14	221
FIL15	227
FIL16	228
FIL17	221
FIL18	228
---	---
FIL20	228

SYMBOL NO.	INDEX NO.
FIL21	228
FIL22	228
FIL23	227
FIL24	228
FIL25	227
FIL26	227
FIL27	228
FIL28	228
FIL29	225
FIL30	230

SYMBOL NO.	INDEX NO.
FIL31	227
FIL32	227
FIL33	227
FIL34	230
FIL35	227
FIL36	224
FIL37	224
FIL38	224
FIL39	225
FIL40	225

SYMBOL NO.	INDEX NO.
FIL41	225
FIL42	225
FIL43	227
FIL44	227
FIL45	227
FIL46	231
FIL47	231
FIL48	231
FIL49	231
FIL50	224

### HIC

SYMBOL NO.	INDEX NO.
HIC1	3



## 23.FCU BOARD EU (H306)

### IC

SYMBOL NO.	INDEX NO.
IC1	168
IC2	184
IC3	162
IC4	183
IC5	162
IC6	163
IC7	173
IC8	184
IC9	184
IC10	9

SYMBOL NO.	INDEX NO.
IC11	9
---	---
IC13	184
IC14	178
---	---
IC16	184
IC17	167
IC18	190
IC19	162
IC20	181

SYMBOL NO.	INDEX NO.
IC21	8
IC22	166
IC23	176
IC24	164
IC25	184
IC26	10
---	---
IC28	174
IC29	4
IC30	11

SYMBOL NO.	INDEX NO.
IC31	2
---	---
IC33	7
IC34	317
IC35	1
IC36	315
IC37	316
IC38	316
IC39	317
IC40	317

SYMBOL NO.	INDEX NO.
IC41	5
IC42	182
IC43	315
IC44	316
IC45	172
IC46	170
IC47	174
IC48	188
IC49	189
IC50	177

SYMBOL NO.	INDEX NO.
IC51	191
IC52	171
IC53	169
IC54	171
IC55	171
IC56	175
IC57	171
IC58	179
IC59	162
IC60	180

### JP

SYMBOL NO.	INDEX NO.
JP15	267
JP39	267
JP40	251
JP43	267
JP44	267
JP45	267
JP47	277
JP50	267
JP54	277
JP57	277

### JP

SYMBOL NO.	INDEX NO.
JP60	277
JP61	277

### L

SYMBOL NO.	INDEX NO.
L1	220
L2	220
L5	222
L6	223
L11	226

### OSC

SYMBOL NO.	INDEX NO.
OSC1	193
OSC2	192
OSC5	194
OSC6	6
OSC11	196
OSC13	195
OSC14	197

### Q

SYMBOL NO.	INDEX NO.
Q1	148
Q2	140
Q3	147
Q4	151
Q5	144
Q6	149
Q7	137
Q8	139
Q9	146
Q10	139

SYMBOL NO.	INDEX NO.
Q11	139
Q12	139
Q13	139
Q14	139
Q15	165
Q16	165
Q17	147
Q18	139
Q19	139
---	---

SYMBOL NO.	INDEX NO.
Q21	138
Q22	138
Q23	137
Q24	138
Q25	138
Q26	142
---	---
Q28	143
Q29	141
Q30	145

SYMBOL NO.	INDEX NO.
Q31	141

## 23.FCU BOARD EU (H306)

### RESISTOR

SYMBOL NO.	INDEX NO.	SYMBOL NO.	INDEX NO.	SYMBOL NO.	INDEX NO.	SYMBOL NO.	INDEX NO.	SYMBOL NO.	INDEX NO.	SYMBOL NO.	INDEX NO.	SYMBOL NO.	INDEX NO.
R1	198	R11	200	----	---	R31	279	R41	279	R51	243	R61	245
R2	198	R12	199	R22	263	R32	290	R42	253	R52	263	R62	245
R3	235	----	---	R23	263	----	---	----	---	R53	243	R63	280
R4	239	----	---	R24	279	----	---	R44	238	R54	245	R64	292
R5	234	R15	261	R25	263	----	---	R45	268	R55	251	----	---
R6	198	R16	263	R26	279	R36	237	R46	245	R56	251	R66	238
R7	288	R17	261	R27	279	R37	258	R47	251	R57	243	R67	243
R8	200	R18	263	R28	279	R38	243	R48	245	R58	239	R68	243
R9	200	----	---	R29	290	R39	245	R49	251	R59	264	R69	243
R10	200	----	---	R30	279	R40	279	R50	243	R60	245	R70	257

### RESISTOR

SYMBOL NO.	INDEX NO.	SYMBOL NO.	INDEX NO.	SYMBOL NO.	INDEX NO.	SYMBOL NO.	INDEX NO.	SYMBOL NO.	INDEX NO.	SYMBOL NO.	INDEX NO.	SYMBOL NO.	INDEX NO.
R71	243	R81	263	R91	245	R101	244	R111	246	----	---	R131	243
R72	243	R82	243	R92	244	R102	244	R112	246	R122	243	R132	243
R73	243	R83	256	R93	245	R103	245	----	---	R123	258	R133	245
R74	243	----	---	R94	245	R104	253	R114	245	R124	243	R134	245
R75	251	----	---	----	---	R105	246	R115	246	R125	251	----	---
R76	243	----	---	R96	246	R106	249	R116	281	----	---	R136	277
R77	291	----	---	----	---	R107	251	R117	253	R127	263	R137	252
R78	245	----	---	----	---	R108	251	R118	281	R128	263	R138	245
----	---	R89	243	R99	245	R109	251	R119	266	R129	243	----	---
R80	264	R90	243	R100	255	R110	278	R120	243	R130	243	R140	251

## 23.FCU BOARD EU (H306)

### RESISTOR

SYMBOL NO.	INDEX NO.	SYMBOL NO.	INDEX NO.	SYMBOL NO.	INDEX NO.	SYMBOL NO.	INDEX NO.	SYMBOL NO.	INDEX NO.	SYMBOL NO.	INDEX NO.	SYMBOL NO.	INDEX NO.
R141	251	R151	289	R161	246	----	---	R181	243	R191	263	R201	251
R142	245	R152	285	R162	246	R172	238	R182	243	R192	263	----	---
R143	245	----	---	R163	247	R173	251	R183	233	R193	263	R203	278
R144	243	R154	243	R164	252	R174	264	R184	232	R194	263	R204	278
R145	244	R155	245	R165	262	R175	279	R185	232	R195	263	----	---
R146	245	R156	255	R166	243	R176	274	R186	263	R196	263	R206	285
R147	243	R157	246	R167	243	----	---	R187	263	R197	245	----	---
R148	243	R158	255	R168	243	R178	246	R188	263	R198	263	----	---
R149	262	R159	255	R169	252	R179	251	R189	263	R199	263	----	---
R150	289	R160	255	R170	285	R180	251	R190	263	R200	263	R210	293

### RESISTOR

SYMBOL NO.	INDEX NO.	SYMBOL NO.	INDEX NO.	SYMBOL NO.	INDEX NO.	SYMBOL NO.	INDEX NO.	SYMBOL NO.	INDEX NO.	SYMBOL NO.	INDEX NO.	SYMBOL NO.	INDEX NO.
R211	279	R221	263	R231	263	R241	245	R251	263	R261	251	R271	270
----	---	R222	263	R232	263	R242	250	R252	245	----	---	R272	275
R213	243	R223	283	R233	244	R243	248	R253	239	R263	264	R273	276
R214	243	R224	286	R234	244	R244	259	R254	284	R264	254	R274	276
R215	263	R225	287	R235	244	R245	245	R255	245	R265	254	R275	272
R216	263	R226	259	R236	244	R246	246	R256	243	R266	254	R276	273
R217	263	R227	279	R237	251	R247	250	R257	243	R267	254	R277	241
R218	263	R228	282	R238	239	R248	253	R258	243	R268	264	R278	240
R219	263	R229	260	R239	265	R249	245	----	---	R269	271	R279	240
R220	263	R230	263	R240	246	R250	246	R260	251	R270	269	R280	236

## 23.FCU BOARD EU (H306)

### RESISTOR

SYMBOL NO.	INDEX NO.
R281	249
R282	264
R283	264
R284	240
R285	240
R286	257
R287	257
R288	257
R289	242
---	---

SYMBOL NO.	INDEX NO.
---	---
R292	242
---	---
R294	245
R295	245
R296	251

### REG

SYMBOL NO.	INDEX NO.
REG1	187
REG2	186
REG3	185

### RN

SYMBOL NO.	INDEX NO.
RN1	202
RN2	202
RN3	202
RN4	202
RN5	204
RN6	204
RN7	204
RN8	204
RN9	202
RN10	204

SYMBOL NO.	INDEX NO.
RN11	204
RN12	204
RN13	204
RN14	204
RN15	204
RN16	204
RN17	204
RN18	204
RN19	205
RN20	203

SYMBOL NO.	INDEX NO.
RN21	204
RN22	204
RN23	202
RN24	202
RN25	202
RN26	202
RN27	204
RN28	204
RN29	204
RN30	204

SYMBOL NO.	INDEX NO.
RN31	204
RN32	204
RN33	204
RN34	204
RN35	204
RN36	206
RN37	206
RN38	204
RN39	204
RN40	204

### CAPACITOR

SYMBOL NO.	INDEX NO.
RN41	204
RN42	204
RN43	204
RN44	204
RN45	201
RN46	201
RN47	206

### SW

SYMBOL NO.	INDEX NO.
SW1	134
---	---
SW3	133

### ZD

SYMBOL NO.	INDEX NO.
---	---
---	---
ZD3	156

## 23.FCU BOARD EU (H306)

Index No.	Part No.	Description	Q'ty Per Assembly
*	H306 6140	FCU Board - EU	1
1	G025 7100	IC - D65636-123	1
2	H551 7107	ROM - 4MBit	1
3	H306 7103	IC - HICRW2	1
4	H515 7101	IC - LSI - LPC	1
5	H515 7102	IC - LSI - VPP4F	1
6	H515 7121	Oscillator - MC-306- 32.768KHz	1
7	H519 7100	LSI QPCR30	1
8	H521 7150	IC - H5217150	1
9	H545 7100	IC - EXIOF	1
10	H547 7135	V.34 Modem R288F-27	1
11	H551 7106	LSI SCP	1

Index No.	Part No.	Description	Q'ty Per Assembly
101	1102 4201	Connector - 2P	
102	1102 4203	CT Header - 4P	
103	1102 4204	CT Header - 5P	
104	1102 4205	CT Header- 6p	
105	1102 4207	Connector - 8P	
106	1102 4208	Connector - 9P	
107	1102 4209	CT Header - 10P	
108	1102 4211	CT Header - 12P	
109	1102 4212	CT Header - 15P	
110	1102 4620	CT Header - 3P	
111	1102 4622	CT Connector - 5p	
112	1102 4623	CT Connector - 6p	
113	1102 4624	CT Connector - 7p	
114	1102 4627	Connector - 10P	
115	1102 4631	CT Connector - 2p	
116	1102 4634	CT Connector - 5p	
117	1102 4635	Connector - 6P	
118	1102 4639	CT Connector - 10p	
119	1102 4643	CT Connector - 2p	
120	1102 4646	Connector - 5P	
121	1102 4647	Connector - 6P	
122	1102 4650	Connector - 9P	
123	1102 4651	Connector - 10P	
124	1102 5570	Connector - 24P	
125	1102 5844	Connector - 5566-02A	
126	1102 6307	Connector - 14P	
127	1102 7029	Connector - 8p - 53375-0810	
128	1102 7093	Connector - 53375-0610	
129	1102 7390	Connector TX24-100R-6ST-H1	
130	1102 7395	Sim Socket - 89185-7214	
131	1102 8036	Connector - 68P	
132	1102 8106	Connector-53495-8817	
133	1204 2394	Slide Switch - JSC1210-0101	
134	1204 2502	Switch - HSW1060-01-020	
135	1206 0081	Lithium Battery - MI2430-hj1	

Index No.	Part No.	Description	Q'ty Per Assembly
136	1206 0082	Lithium Cell- CR2450-HJ3	
137	1400 0355	Transistor:DTC144EKA	
138	1400 0373	Transistor - DTA114YKA	
139	1400 0392	Transistor - DTC114EK	
140	1400 0395	Transistor:DTA114EKA	
141	1400 0398	Transistor - 2SC2412K	
142	1400 0555	Transistor - DTC143EK	
143	1400 0595	Transistor - DTB123TK	
144	1400 0649	Transistor - DTC143TK	
145	1400 0680	Transistor - 2SA1813	
146	1400 0711	Transistor-2SB1241	
147	1400 0733	Transistor - 2SD1866	
148	1400 0747	Transistor-2SD1863	
149	1400 0752	Transistor - FMY6	
150	1401 0821	Diode - 1SS133	
151	1401 1051	Transistor - 2SJ374	
152	1402 0478	Diode - 1SS226TE85L	
153	1402 1029	Diode - 1SS293	
154	1402 1185	Diode - ERA15-01 1A	
155	1402 1237	Diode - 60V - 1A	
156	1402 1296	Zener Diode - HZ3C1	
157	1402 1336	Diode - 1SS355	
158	1402 1337	Diode-RB731U	
159	1402 1343	Diode - RB106L-40	
160	1402 1458	Diode:1SS315	
161	1402 1459	Diode-RB706F-40	
162	1407 1878	IC - TC4053BF	
163	1407 2187	TTLIC - SN74LS07NS	
164	1407 2210	IC - T6668A	
165	1407 2219	IC - TD62003AP	
166	1407 2945	Voltage Detector - RH5VA43AX	
167	1407 3293	IC - TC74HC161AF	
168	1407 3543	IC - SLA7024M	
169	1407 4300	IC - TC74VHC32F	
170	1407 4594	CMOS IC - TC74VHC00F	

Index No.	Part No.	Description	Q'ty Per Assembly
171	1407 4605	CMOS IC - TC74VHC14F	
172	1407 4615	IC - TC74VHC02F	
173	1407 4713	IC-SLA7026M(LF872)	
174	1407 4718	IC - TC74VHC08F	
175	1407 4726	IC - CXP2006M	
176	1407 4728	CMOSIC-TC7W08FU	
177	1407 4804	IC-TC7SH08FU	
178	1407 4835	IC - TC74VHC74F	
179	1407 4874	CMOSIC-74VHC32 TSSOP	
180	1407 4902	IC-74VHC157:TSSOP	
181	1407 5046	CMOS IC - TC7SET02FU	
182	1407 5061	IC - Flash Memory - 16MX8/16 70NS	
183	1408 0427	IC - LM393PS	
184	1408 0461	IC - NJM4558M	
185	1408 0916	Voltage Regulator - RH5RA40AA	
186	1408 1012	IC - L78050CV	
187	1408 1017	Regurator - TA7812S 12V 1A	
188	1408 1059	Voltage Regulator - RH5VI43CC	
189	1408 1191	DC/DC Converter - RH5RI501B	
190	1408 1237	IC - BU8872FS	
191	1408 1333	IC - BA6162F	
192	1503 0069	Oscillator - 8.00MHZ	
193	1503 0781	Oscillator - CST 4.19MGW213	
194	1503 0825	Oscillator - 8MHZ	
195	1503 0889	Oscillator - 38.00053MHZ	
196	1503 0890	Oscillator - 42.22132MHZ	
197	1503 0906	Crystal Oscilator:28.224mhz	
198	1600 1552	Resistor - 47 $\Omega$ $\pm$ 5% 2W	
199	1600 1625	Resistor - 100 $\Omega$ 1/2W $\pm$ 5%	
200	1601 5362	Resistor - 1 $\Omega$ $\pm$ 5% 1W	
201	1601 7751	Resistor - 4.7K $\Omega$ $\pm$ 5%	
202	1601 7752	Resistor Array - 10K $\Omega$ $\pm$ 5%	
203	1601 7757	Resistor 0 $\Omega$	
204	1601 7760	Resistor Array	
205	1601 7871	Resistor - 68 $\Omega$ $\pm$ 5% 1/16W	

Index No.	Part No.	Description	Q'ty Per Assembly
206	1601 7872	Resistor Array - 220 $\Omega$ $\pm$ 5% 1/16W	
207	1604 4298	Capacitor 220 $\mu$ F $\pm$ 20% 25V	
208	1604 4354	Capacitor - 3.3UF	
209	1604 4477	Capacitor - 10 $\mu$ F $\pm$ 20% 35V	
210	1604 4478	Capacitor:220 $\mu$ F $\pm$ 20% 35V	
211	1604 4575	Capacitor 27 $\mu$ F $\pm$ 20% 50V	
212	1604 4661	Capacitor:100 $\mu$ F $\pm$ 20% 50V	
213	1605 0643	Capacitor - 0.1MICRO F	
214	1605 0724	Capacitor - 510pF	
215	1605 0761	Capacitor - 0.15 $\mu$ F $\pm$ 10% 16V	
216	1605 0853	Condensor - 1 $\mu$ F+80/20% 16V	
217	1605 0925	Capacitor - 0.22 $\mu$ F $\pm$ 10% 16V	
218	1605 0945	Capacitor - 4.7 $\mu$ F+80-20	
219	1605 1055	Capacitor-0.022mf: $\pm$ 10%25V	
220	1607 0388	SBC Coil - 10UH	
221	1607 0536	Fuse Core - EXCELDR35C	
222	1607 0808	Inductor BLM11B141DPB	
223	1607 0821	Coil - ELD10E221	
224	1607 0824	Filter BLM11A601SPB	
225	1607 0859	Fuse - BLM21B102S	
226	1607 0917	Inductor - LK2125 8R2K	
227	1607 0973	Inductor - BLM11A121SPB	
228	1607 0978	Inductor - BLM21P300SPB	
229	1607 1091	Filter-NFM40P12C223	
230	1607 1124	Filter- BLM11A471SGPB	
231	1607 1142	Filter-BLM11B121SBPB	
232	1630 1151	Resistor - 150 $\Omega$ $\pm$ 5% 1/4W	
233	1630 1201	Resistor - 200 $\Omega$ $\pm$ 5%1/4W	
234	1630 1562	Resistor - 5.6 $\Omega$ $\pm$ 5% 1/4W	
235	1630 1681	Resistor - 680 $\Omega$ : $\pm$ 5%	
236	1630 2103	Resistor - 10K $\Omega$ 1/8W	
237	1630 2471	Resistor - 470 $\Omega$ 1/8W $\pm$ 5%	
238	1630 3100	Resistor - 10 $\Omega$ $\pm$ 5% 1/10W	
239	1630 3101	Resistor - 100 $\Omega$ - 1/10W	
240	1630 3103	Resistor - 10K $\Omega$ 1/10W $\pm$ 5%	

Index No.	Part No.	Description	Q'ty Per Assembly
241	1630 3163	Resistor - 16K $\Omega$ $\pm$ 5% 1/10W	
242	1630 3561	Resistor - 560 $\Omega$ $\pm$ 5% 1/10W	
243	1630 4101	Resistor - 100 $\Omega$ $\pm$ 5% 1/16W	
244	1630 4102	Resistor - 1.0K $\Omega$ $\pm$ 5% 1/16W	
245	1630 4103	Resistor - 10K $\Omega$ $\pm$ 5% 1/16W	
246	1630 4104	Resistor - 100 $\Omega$ $\pm$ 5% 1/16W	
247	1630 4105	Resistor - 1.0M $\Omega$ $\pm$ 5% 1/16W	
248	1630 4123	Resistor - 12k $\Omega$ - $\pm$ 5% - 1/16W	
249	1630 4152	Resistor - 1.5K $\Omega$ $\pm$ 5% 1/16W	
250	1630 4184	Resistor - 180k $\Omega$ $\pm$ 5% 1/16W	
251	1630 4201	Resistor - 200 $\Omega$ - $\pm$ 5% - 1/16W	
252	1630 4204	Resistor - 200K $\Omega$ $\pm$ 5% 1/16W	
253	1630 4223	Resistor - 22K $\Omega$ $\pm$ 5% 1/16W	
254	1630 4242	Resistor - 2.4k $\Omega$ - $\pm$ 5% - 1/16W	
255	1630 4273	Resistor - 27k $\Omega$ - $\pm$ 5% - 1/16W	
256	1630 4274	Resistor:270k $\Omega$ : $\pm$ 5%:1/16W	
257	1630 4330	Resistor - 33 $\Omega$ $\pm$ 5% 1/8W	
258	1630 4331	Resistor - 330 $\Omega$ $\pm$ 5% 1/16W	
259	1630 4332	Resistor - 3.3K $\Omega$ $\pm$ 5% 1/16W	
260	1630 4334	Resistor - 330K $\Omega$ $\pm$ 5% 1/16W	
261	1630 4393	Resistor - 39k $\Omega$ - $\pm$ 5% - 1/16W	
262	1630 4394	Resistor - 390k $\Omega$ - $\pm$ 5% - 1/16W	
263	1630 4472	Resistor - 4.7K $\Omega$ $\pm$ 5% 1/16W	
264	1630 4473	Resistor - 47k $\Omega$ - $\pm$ 5% - 1/16W	
265	1630 4513	Resistor - 51k $\Omega$ - $\pm$ 5% - 1/16W	
266	1630 4562	Resistor - 5.6k $\Omega$ - $\pm$ 5% - 1/16W	
267	1633 0000	Resistor - 0 $\Omega$ 1/10W	
268	1633 1000	Resistor - 100 $\Omega$ $\pm$ 1% 1/10W	
269	1633 1050	Resistor - 105 $\Omega$ $\pm$ 1% 1/10W	
270	1633 1051	Resistor - 1.05 $\Omega$ $\pm$ 1% 1/10W	
271	1633 2370	Resistor - 237 $\Omega$ $\pm$ 1% 1/10W	
272	1633 2800	Resistor - 280 $\Omega$ - $\pm$ 1% - 1/10W	
273	1633 3489	Resistor - 34.8 $\Omega$ $\pm$ 1% 1/10W	
274	1633 3900	Resistor - 390 $\Omega$ $\pm$ 1% 1/10W	
275	1633 6659	Resistor - 66.5 $\Omega$ $\pm$ 1% 1/10W	

Index No.	Part No.	Description	Q'ty Per Assembly
276	1633 9310	Resistor - 931Ω ±1% 1/10W	
277	1634 0000	Resistor - 0 Ω 1/16W	
278	1634 1001	Resistor - 1KΩ ±5% 1/16W	
279	1634 1002	Resistor - 10 Ω ±5% 1/16W	
280	1634 1243	Resistor - 124K Ω ±1% 1/16W	
281	1634 1400	Resistor - 140 Ω ±1% 1/16W	
282	1634 1652	Resistor-16.5kΩ ±1% 1/16W	
283	1634 1741	Resistor-1.74kΩ ±1% 1/16W	
284	1634 1803	Resistor - 180K Ω ±1% 1/16W	
285	1634 2002	Resistor - 20K Ω ±1% 1/16W	
286	1634 3301	Resistor - 3.3K Ω ±1% 1/16W	
287	1634 3302	Resistor - 33.0KΩ ±1%	
288	1634 3902	Resistor - 39.0k Ω - ±1% - 1/16W	
289	1634 4022	Resistor - 40.2K Ω ±1% 1/16W	
290	1634 4321	Resistor- 4.32kΩ ±1% 1/16W	
291	1634 4700	Resistor - 470Ω ±1% 1/16W	
292	1634 6192	Resistor - 61.9 Ω ±1% 1/16W	
293	1634 6801	Resistor - 6.8KΩ ±1% 1/8W	
294	1640 0221	Capacitor - 220μF- ±20% 10V	
295	1640 2221	Capacitor - 220μF- ±20% 25V	
296	1640 5101	Capacitor - 100μF±20% 50V	
297	1642 0101	Capacitor - 100μF±20% 50V	
298	1642 2100	Capacitor - 10μF±20% 25V	
299	1660 2101	Capacitor - 100pF - ±10% - 50V	
300	1660 2120	Capacitor - 12 pF ±5% 50V	
301	1660 2150	Capacitor - 15pF ±5% 50V	
302	1660 2180	Capacitor 18pF ±5% 50V	
303	1660 2181	Capacitor- 180pF ±5% 50V	
304	1660 2330	Capacitor - 33pF - ±5% - 50V	
305	1660 2331	Capacitor - 330pF ±5% 50V	
306	1660 2470	Capacitor - 47pF ±5% 50V	
307	1660 2471	Capacitor - 470pF - ±5% - 50V	
308	1660 4102	Capacitor - 1000pF ±10% 50V	
309	1660 4103	Capacitor - 10000pF - ±10% - 50V	
310	1660 4222	Capacitor - 2200pF - ±10% - 50V	

Index No.	Part No.	Description	Q'ty Per Assembly
311	1660 4332	Capacitor - 3300pF - ±10% - 50V	
312	1660 6103	Capacitor - 10000pF - +80%-20%50V	
313	1660 7104	Capacitor - 100000pF 50V	
314	1660 8104	Capacitor - 0.1μF+80-20% 25V	
315	1902 0041	IC - 1M X8 70NS G10	
316	1903 1015	DRAM - 16M 1MX16 60ns EDO G8	
317	1904 0013	SRAM - 256K X8 20ns G2	



## 24.NCU BOARD NA (H306)

### CAPACITOR

SYMBOL NO.	INDEX NO.
C 2	117
C 3	129
C 4	128
C 5	130

### CONNECTOR

SYMBOL NO.	INDEX NO.
CN3	102
CN4	101

### DB

SYMBOL NO.	INDEX NO.
DB1	115

### DIODE

SYMBOL NO.	INDEX NO.
D1	107
D2	107

### FUSE

SYMBOL NO.	INDEX NO.
FU1	103

### FILTER

SYMBOL NO.	INDEX NO.
FIL1	118
FIL2	118

### L

SYMBOL NO.	INDEX NO.
L1	119

### PC

SYMBOL NO.	INDEX NO.
PC1	110
PC2	111
PC3	109

### Q

SYMBOL NO.	INDEX NO.
Q1	105
Q2	106
Q3	2

### RESISTOR

SYMBOL NO.	INDEX NO.
R1	120
R2	116
R3	121
R4	124
R5	123
R6	122
R7	127
R8	126
R9	125

### RY

SYMBOL NO.	INDEX NO.
RY1	104

### T

SYMBOL NO.	INDEX NO.
T2	1

### V

SYMBOL NO.	INDEX NO.
V1	113
V2	112
V3	114
V4	114

### ZD

SYMBOL NO.	INDEX NO.
ZD1	108
ZD2	108

## 24.NCU BOARD NA (H306)

Index No.	Part No.	Description	Q'ty Per Assembly
*	5488 6121	NCU Board - NA	1
1	H306 7111	Trans - LT9860	1
2	H502 7111	Transistor - 2SC4505Q	1

Index No.	Part No.	Description	Q'ty Per Assembly
101	1102 4203	CT Header - 4P	
102	1102 4212	CT Header - 15P	
103	1107 0947	Fuse - 230.500	
104	1208 1410	Relay - EC2-224ND	
105	1400 0826	Transistor - 2SA1776	
106	1400 0844	Transistor - FMG8A	
107	1401 0821	Diode - 1SS133	
108	1402 1224	Diode - MTZJ5.1A	
109	1403 0598	Photo Coupler - PS2501-2	
110	1403 0620	Photo Coupler	
111	1403 0812	Photocoupler - PS2532-1-V	
112	1404 0129	Varystor - VR - 63B	
113	1404 0341	Varystor - TNR9G101K	
114	1404 0937	Arastor - DSSV-401M-YD	
115	1405 0180	Rectifier - OR5G4B42	
116	1601 5276	Resistor - 18 $\Omega$	
117	1606 1860	Capacitor - 0.47 $\mu$ F250V	
118	1607 0069	Fuse - BL02RN2-R62-PB	
119	1607 0396	Choke - SBT-0180W	
120	1611 4473	Resistor - 47K $\Omega$ 1/4T $\pm$ 5%	
121	1611 9182	Resistor - 1.8k $\Omega$ $\pm$ 5% 1/2w	
122	1630 3104	Resistor - 100K $\Omega$ 1/10W $\pm$ 5%	
123	1630 3151	Resistor - 150 $\Omega$ $\pm$ 5% 1/10W	
124	1630 3180	Resistor - 18 $\Omega$ $\pm$ 5% 1/10W	
125	1630 3392	Resistor - 3.9k $\Omega$ - 1/10W	
126	1633 2002	Resistor - 20K $\Omega$ $\pm$ 1% 1/10W	
127	1633 4702	Resistor - 47K $\Omega$ $\pm$ 1/10W	
128	1640 5221	Capacitor - 220 $\mu$ F $\pm$ 20% 50V	
129	1643 5100	Capacitor - 10 $\mu$ F $\pm$ 20% 50V	
130	1643 5229	Capacitor - 2.2 $\mu$ F $\pm$ 20% 50V	

## 25.NCU BOARD EU (H306)

### CAPACITOR

SYMBOL NO.	INDEX NO.
C1	127
C2	126
C3	143
C4	125
C5	124
C6	144
---	---
C8	142
C9	123
C10	147

SYMBOL NO.	INDEX NO.
C11	147
C12	145
C13	147
C14	146

### CONNECTOR

SYMBOL NO.	INDEX NO.
CN1	104
CN2	102
---	---
---	---
CN5	103
CN6	101

### DIODE

SYMBOL NO.	INDEX NO.
D1	111
D2	111
D3	111
D4	111

### DB

SYMBOL NO.	INDEX NO.
DB1	114
DB2	114
DB3	120

### FILTER

SYMBOL NO.	INDEX NO.
FIL1	128
FIL2	128
FIL3	129

### HIC

SYMBOL NO.	INDEX NO.
HIC1	2

### JP

SYMBOL NO.	INDEX NO.
JP1	148
JP2	148
JP3	148
JP4	148
JP5	148
JP6	148
JP7	148
JP8	148
JP9	148
JP10	148

SYMBOL NO.	INDEX NO.
JP11	148
JP12	148
JP13	148
JP14	148
JP15	148
JP16	148
JP17	148

### L

SYMBOL NO.	INDEX NO.
L1	131
L2	130

### PC

SYMBOL NO.	INDEX NO.
PC1	115
PC2	117
PC3	116
PC4	117

### Q

SYMBOL NO.	INDEX NO.
Q1	109
Q2	107
Q3	108
Q4	110
Q5	110

### RESISTOR

SYMBOL NO.	INDEX NO.
R1	122
R2	134
R3	134
R4	133
R5	121
R6	132
R7	132
R8	140
R9	136
R10	141

SYMBOL NO.	INDEX NO.
R11	137
R12	139
R13	139
R14	139
R15	137
R16	138
R17	138
R18	135

## 25.NCU BOARD EU (H306)

RY

SYMBOL NO.	INDEX NO.
RY1	106
RY2	105

T

SYMBOL NO.	INDEX NO.
T2	1

V

SYMBOL NO.	INDEX NO.
V1	119
V2	118
V3	118
V4	118

ZD

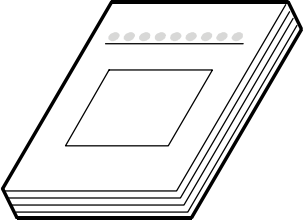
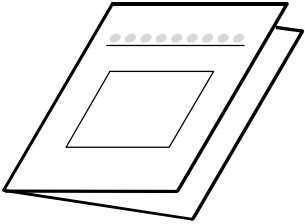
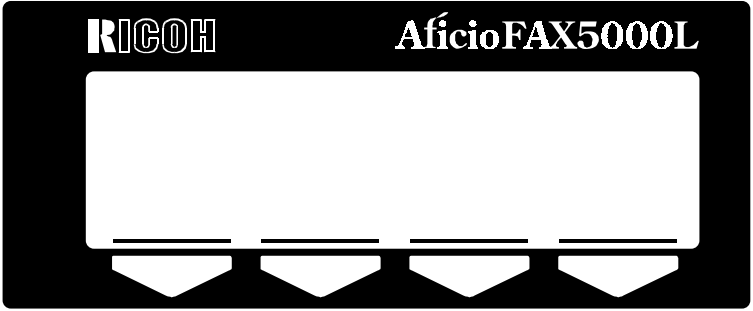
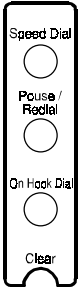
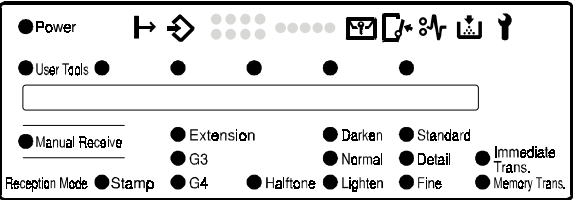
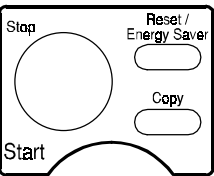
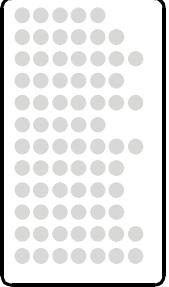
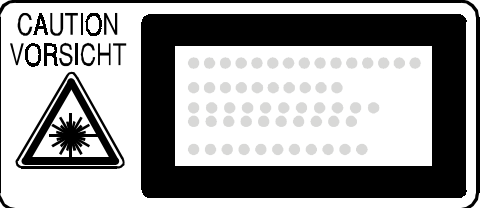
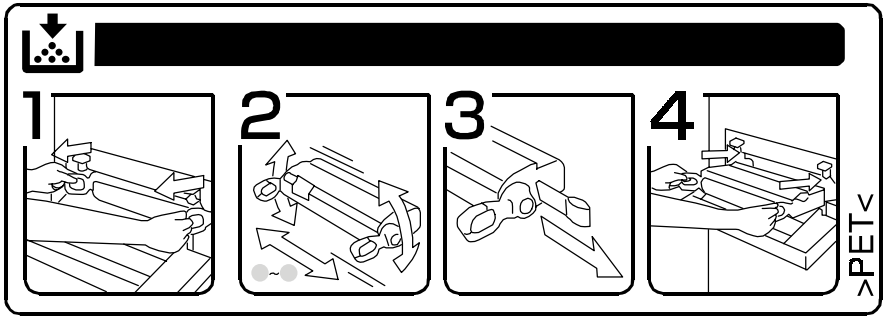
SYMBOL NO.	INDEX NO.
ZD1	112
ZD2	112
ZD3	113
ZD4	113

## 25.NCU BOARD EU (H306)

Index No.	Part No.	Description	Q'ty Per Assembly
*	5488 6141	PCB - NCU-NE1	1
1	H306 7121	Transformer - 98-60	1
2	H545 7108	HIC - 220/240V	1
101	1102 4203	CT Header - 4P	
102	1102 4204	CT Header - 5P	
103	1102 4205	CT Header- 6p	
104	1102 4212	CT Header - 15P	
105	1208 1410	Relay - EC2-224ND	
106	1208 1419	Relay -ALD124	
107	1400 0358	Transistor - 2SA950-0	
108	1400 0576	Transistor:2SC3621	
109	1400 0577	Transistor:2SA1320	
110	1400 0844	Transistor - FMG8A	
111	1401 0821	Diode - 1SS133	
112	1402 1223	Diode:MTZJ2.0A	

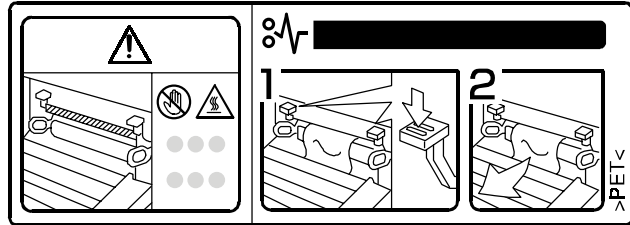
Index No.	Part No.	Description	Q'ty Per Assembly
113	1402 1224	Diode - MTZJ5.1A	
114	1402 1335	Bridge-S1WB(A)60	
115	1403 0791	Photocoupler - PS2561-1-V	
116	1403 0812	Photocoupler - PS2532-1-V	
117	1403 0950	Photocoupler- PS2532-2-V	
118	1404 0283	Varistor:TNR9G431K	
119	1404 0342	Varistor:TNR9G121K	
120	1405 0180	Rectifier - OR5G4B42	
121	1600 1638	Resistor - 47 $\Omega$ $\pm$ 5% 1W	
122	1601 5420	Resistor - 120 $\Omega$ $\pm$ 5% 2W	
123	1604 4301	Capacitor 220uf: $\pm$ 20%	
124	1606 1761	Capacitor - 1.0 $\mu$ F250V	
125	1606 1860	Capacitor - 0.47 $\mu$ F250V	
126	1606 1877	Capacitor:0.027uf: $\pm$ 10%	
127	1606 2026	Capacitor - 0.1 $\mu$ F $\pm$ 10%	
128	1607 0069	Fuse - BL02RN2-R62-PB	
129	1607 0536	Fuse Core - EXCELDR35C	
130	1607 0760	Coil TLF9UB302W	
131	1607 1083	Coil ELF1010SKI-332J	
132	1611 4120	Resistor - 12 $\Omega$ 1/4W	
133	1611 4153	Resistor - 15K $\Omega$ 1/4T $\pm$ 5%	
134	1611 9303	Resistor 30k $\Omega$ $\pm$ 5% 1/2W	
135	1630 3100	Resistor - 10 $\Omega$ $\pm$ 5% 1/10W	
136	1630 3103	Resistor - 10K $\Omega$ 1/10W $\pm$ 5%	
137	1630 3302	Resistor - 3k $\Omega$ - 1/10W	
138	1630 3471	Resistor - 470 $\Omega$ - 1/10W	
139	1630 3472	Resistor - 4.7K $\Omega$ 1/10W $\pm$ 5%	
140	1633 1602	Resistor - 16K $\Omega$ $\pm$ 1% 1/4W	
141	1633 7501	Resistor - 7.5K $\Omega$ $\pm$ 5% 1/10W	
142	1640 5101	Capacitor - 100 $\mu$ F $\pm$ 20% 50V	
143	1643 5100	Capacitor - 10 $\mu$ F $\pm$ 20% 50V	
144	1643 5479	Capacitor- 4 $\mu$ F $\pm$ 20% 50v	
145	1660 5102	Capacitor - 1000pF $\pm$ 10% 50V	
146	1660 5222	Capacitor - 2200pF $\pm$ 10% 50V	
147	1660 7103	Capacitor - 10000pF 50V	

# 26.DECALANDDOCUMENT(H306)

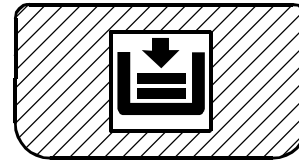
<p>1</p> 	<p>2</p> 	<p>3</p> 	
<p>4</p> 	<p>5</p> 	<p>6</p> 	<p>7</p> 
<p>8</p> 		<p>9</p> 	

26.DECALANDDOCUMENT(H306)

10



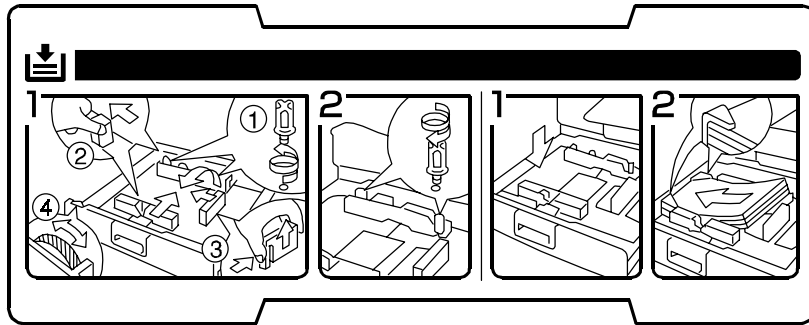
11



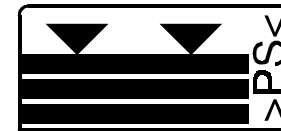
12



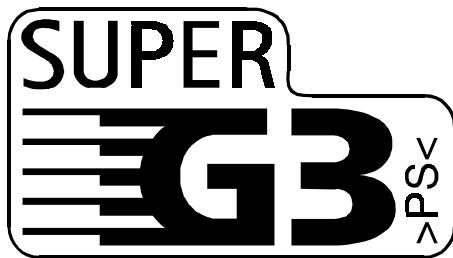
13



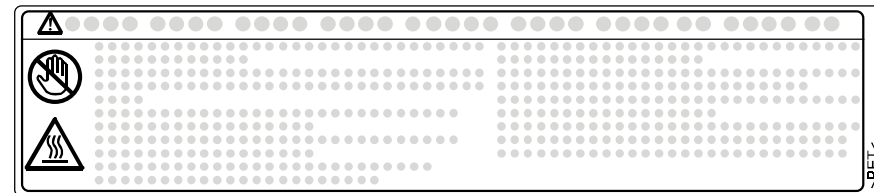
14



15



16



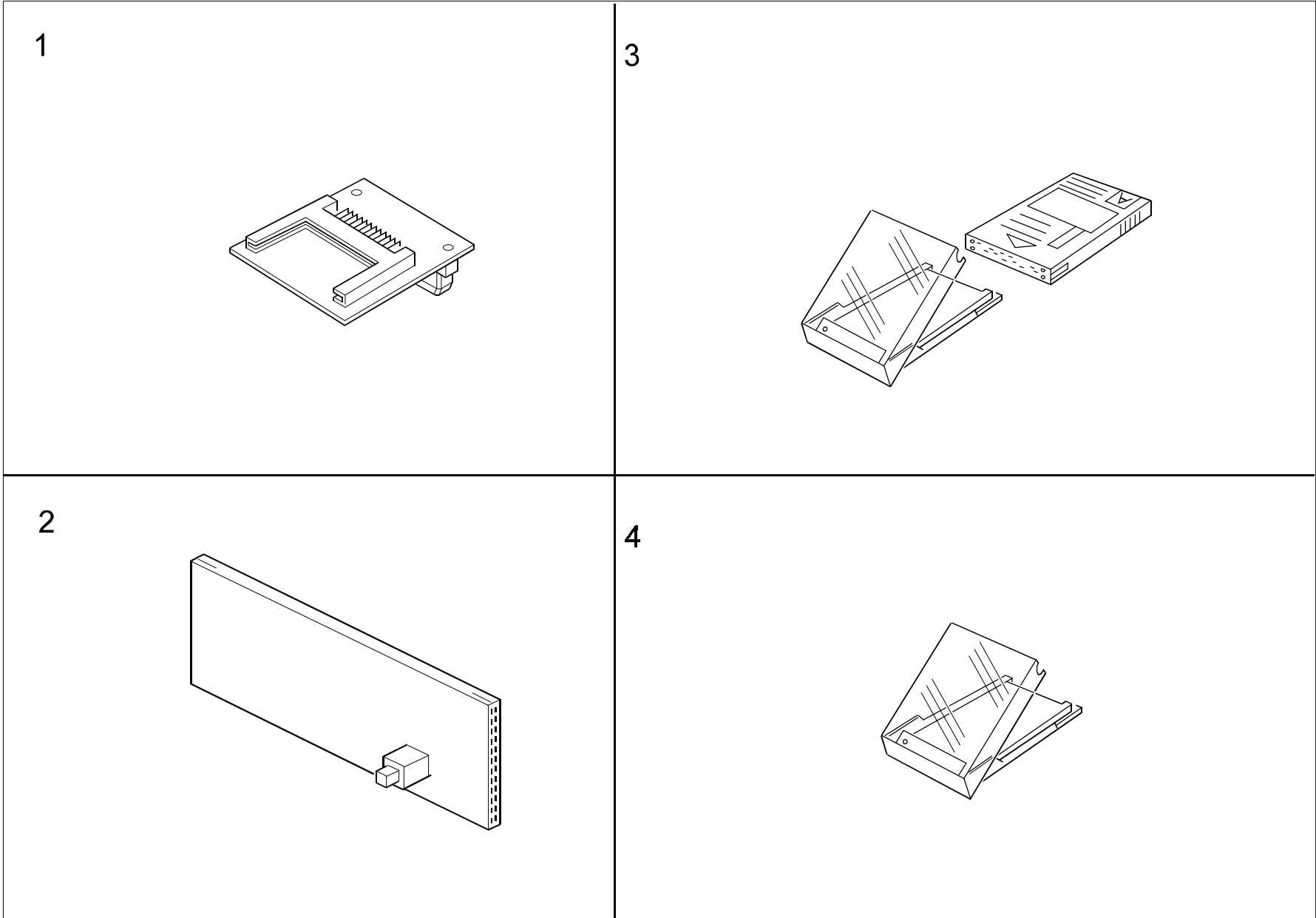
## 26.DECALANDDOCUMENT(H306)

Index No.	Part No.	Description	Q'ty Per Assembly
1	H306 8600	Operation Manual(NA)	1
1	H306 8609	Operation Manual(ASIA)	1
1	H306 8629	Operation Manual(NRG ASIA)	1
1	H306 8630	Operation Manual(NA OEM)	1
1	H306 8607	Operation Manual(TWN)	1
2	H306 8650	Quick Reference (NA)	1
2	H306 8660	Quick Reference (ASIA)	1
2	H306 8666	Quick Reference (TWN)	1
3	H306 4464	LCD Decal (SVN)	1
3	H306 4465	LCD Decal (GES)	1
3	H306 4450	LCD Decal (RIC)	1
3	H306 4466	LCD Decal (EU/Asia/TWN)	1
3	H306 4469	LCD Decal (INF)	1
3	H306 4470	LCD Decal (NSA)	1
3	H306 4471	LCD Decal (REX)	1
4	H306 4474	Clear Decal	1
4	H306 4484	Clear Decal - TWN	1
5	H306 4473	Operation Decal	1
5	H306 4483	Operation Decal - TWN	1
6	H306 4472	Start Decal	1
6	H306 4482	Start Decal - TWN	1
7	H306 1423	Decal - Manual Feed	1
8	G029 1982	Decal - LD	1
9	H306 3184	Decal - Fusing Cover 2	1
10	H306 2099	Decal - Fusing Cover 1	1
11	H519 3038	Decal - Paper Level	1
12	H516 4095	Decal - Energystar	1
13	H519 3029	Decal - Paper Set	1
14	H522 3411	Decal - Rear Side Fence	1
15	H553 3861	Decal - Super G3	1
16	H306 2136	Decal - High Temperature	1

Index No.	Part No.	Description	Q'ty Per Assembly
-----------	----------	-------------	-------------------



## 27.SPECIAL TOOLS(H306)



## 27.SPECIAL TOOLS(H306)

Index No.	Part No.	Description	Q'ty Per Assembly
1	G031 9350	IC Card Adapter P3/ P4	1
2	A193 9353	Flash ROM/SRAM Copy Tool	1
3	N803 6701	Flash Memory Card	1
4	N803 1000	Case - Flash Memory Card	1

Index No.	Part No.	Description	Q'ty Per Assembly

# Parts Index

## PM Parts Index

Section Name	Part No.	Description in Service Manual	Description in Parts Catalog	Q'ty Per Assembly	Page and Index No.	
ADF UNIT 3(H306)	H306 1301	Feed Roller	Feed Roller	1	15- 23	
	H306 1292	Pickup Roller	Pickup Roller	1	15- 20	
	H521 1314	Spring Clutch - M6	Spring Clutch - M6	1	15- 13	
ADF UNIT 2(H306)	H306 1293	Reverse Roller	Reverse Roller	1	13- 12	
FUSING UNIT 1(H306)	G029 4174	Pressure Roller Bushing	Pressure Roller Bushing	2	33- 10	
	H306 2166	Exit Roller	Exit Roller (NA/TWN)	1	33- 13	
	H310 2193	Exit Roller	Exit Roller (EU/ASIA)	1	33- 13	
FUSING UNIT 2(H306)	G029 4120	Pressure Roller	Pressure Roller	1	33- 15	
	G029 4171	Hot Roller Gear	Hot Roller Gear	1	35- 5	
	G029 4172	Hot Roller Bushing	Hot Roller Bushing	1	35- 6	
	H306 2120	Hot Roller	Hot Roller	1	35- 7	
	H306 2137	Paper Stripper Pawl	Paper Stripper Pawl	5	35- 11	
	G029 4173	Hot Roller Bushing 2	Hot Roller Bushing 2	1	35- 12	
	H306 2151	Fusing Unit Connector	Fusing Unit Connector (NA/TWN)	1	35- 27	
	H306 2152	Fusing Unit Connector	Fusing Unit Connector (EU/ASIA)	1	35- 24	
	TRANSFERSECTION(H306)	G029 3950	Transfer Roller A3	Transfer Roller A3	1	27- 24
	PAPERREGISTRATION(H306)	H519 3011	Paper Feed Roller - 5mm	Paper Feed Roller - 5mm	2	31- 28
H519 3012		Paper Feed Roller - 10mm	Paper Feed Roller - 10mm	2	31- 29	

## Parts Index

Part No.	Description	Page and Index No.
H306 1010	Optical Unit Ass'y	21- 31
H306 1050	Optical Unit Base	21- 8
H306 1051	Base Bracket	21- 7
H306 1052	1st Mirror	21- 22
H306 1053	2nd Mirror	21- 10
H306 1054	Spring Plate - 1	21- 21
H306 1055	Spring Plate - 2	21- 11
H306 1056	Xenon Lamp Holder	21- 13
H306 1058	Shading Plate	21- 19
H306 1059	Base Sheet	21- 9
H306 1060	Lens Holder	21- 25
H306 1061	Exposure Glass	21- 17
H306 1062	Lens Bracket	21- 24
H306 1063	Exposure Glass Guide	21- 14
H306 1064	Exposure Glass Stopper	21- 18
H306 1065	Exposure Glass Sponge	21- 16
H306 1066	Base Cover 2	19- 1
H306 1067	Base Cover 1	19- 19
H306 1068	Positioning Spring	21- 3
H306 1069	Positioning Bracket	21- 4
H306 1070	Pan Head Screw	21- 29
H306 1073	Guide Sheet	21- 15
H306 1080	Scanner Base	21- 6
H306 1081	Base Stay	19- 2
H306 1083	R1 Roller Spring	19- 9
H306 1085	R1 Roller Guide	19- 10
H306 1088	Front Bracket - Contact Point	11- 2
H306 1089	Rear Bracket - Contact Point	11- 27
H306 1096	Exit Guide	19- 12
H306 1097	Spring Plate	19- 17
H306 1099	Stopper Bracket	11- 1
H306 1100	Scanner Stopper	13- 2
H306 1102	Exit Feeler Spring	21- 2
H306 1103	R1 Shaft	19- 4
H306 1104	Contact Point Bracket	11- 4

Part No.	Description	Page and Index No.
H306 1105	Base Cover Bracket	21- 30
H306 1106	Pressure Roller Spacer	19- 3
H306 1107	Exit Feeler	21- 1
H306 1110	Exit Tray Guide	7- 16
H306 1258	R0 Bracket	13- 18
H306 1261	Contact Point Bushing	15- 22
H306 1262	Front Cover Sheet	11- 25
H306 1263	Rear Cover Sheet	11- 23
H306 1264	S1 Feeler	11- 24
H306 1265	Paper Size Sensor Feeler	11- 22
H306 1266	Un Lock Spring	17- 11
H306 1267	Un Lock Shaft	17- 7
H306 1268	R0 Sheet	11- 26
H306 1269	Pipe	13- 35
H306 1271	Front Release Spring	17- 10
H306 1272	Rear Release Spring	17- 5
H306 1273	Separation Bracket	13- 10
H306 1274	Feed Bracket	15- 15
H306 1275	Reverse Roller Shaft	13- 13
H306 1276	Pickup Roller Shaft	15- 21
H306 1277	Spring Plate	17- 3
H306 1278	Discharge Brush	17- 2
H306 1279	Grounding Wire	17- 19
H306 1280	Reverse Guide Plate	17- 4
H306 1281	Scanning Sheet	13- 36
H306 1282	Separation Cover Stopper	15- 7
H306 1283	Original Tray Gear	15- 24
H306 1284	Discharge Brush	17- 9
H306 1285	Reverse Roller Holder	13- 11
H306 1286	S2 Feeler	13- 26
H306 1287	S2 Bracket	13- 25
H306 1288	Clutch Roller	15- 11
H306 1289	Stopper Bracket	17- 14
H306 1292	Pickup Roller	15- 20
H306 1293	Reverse Roller	13- 12

Part No.	Description	Page and Index No.
H306 1294	R0 Roller	13- 16
H306 1295	R1 Roller	17- 17
H306 1296	Exit Roller	17- 6
H306 1297	Front Lock Cover	13- 31
H306 1298	Rear Lock Cover	13- 28
H306 1299	Lock Spring Plate	13- 29
H306 1301	Feed Roller	15- 23
H306 1303	Manual Feed Cover	11- 14
H306 1304	Upper Guide	15- 2
H306 1305	Separation Cover	15- 6
H306 1306	Front Original Guide	15- 3
H306 1307	Rear Original Guide	15- 8
H306 1308	ADF Upper Cover	11- 20
H306 1309	ADF Lower Guide	17- 1
H306 1310	Lock Lever	17- 12
H306 1311	Front Lower Cover	13- 1
H306 1312	Rear Lower Cover	13- 30
H306 1314	Pressure Plate Spring	13- 32
H306 1315	Pressure Reverse Spring	17- 18
H306 1316	Original Guide Sheet	15- 4
H306 1317	Cover Magnet	11- 21
H306 1318	Spring Plate - R0	11- 15
H306 1319	Spring Plate Shield - R0	11- 19
H306 1320	Pressure Spring	15- 16
H306 1321	Reverse Guide Sheet	17- 30
H306 1322	Reverse Plate Sheet	17- 29
H306 1324	Exposure Glass Spacer	13- 37
H306 1325	Rear Tightener Sheet	17- 26
H306 1326	S2 Sheet	19- 11
H306 1327	Exit Collar	19- 15
H306 1329	Joint Shaft	13- 21
H306 1330	Front Torque Liniter	13- 7
H306 1334	Sheet ADF Switch 1	13- 38
H306 1335	Sheet ADF Switch 2	13- 39
H306 1352	R1 Pulley	17- 20

Part No.	Description	Page and Index No.
H306 1353	Rear idler Gear	17- 23
H306 1354	Exit Pulley	17- 15
H306 1355	R0 Pulley	13- 8
H306 1356	Front Slow Down Gear	13- 9
H306 1357	Front Drive Gear	13- 6
H306 1358	Rear Drive Gear	13- 15
H306 1360	Rear Slow Down Gear	17- 22
H306 1361	Pickup Idler Gear	15- 17
H306 1367	Spring Plate - Rear Tightener	17- 27
H306 1368	Spring Plate - Front Tightener	13- 33
H306 1369	Drive Shaft	13- 14
H306 1370	Feed Shaft	15- 14
H306 1371	Rear Timing Belt	17- 21
H306 1372	Front Timing Belt	13- 3
H306 1374	Bushing - 6x10mm	17- 31
H306 1423	Decal - Manual Feed	71- 7
H306 1423	Decal - Manual Feed	11- 8
H306 1459	R1 Bracket	17- 16
H306 1475	Tightener Bracket	17- 25
H306 1510	Stepper Motor Ass'y	17- 24
H306 2071	Fusing Unit Ass'y (TWN)	35- *
H306 2071	Fusing Unit Ass'y (TWN)	33- *
H306 2073	Decal - High Temperature	33- 2
H306 2083	Pressure Roller Lever	33- 6
H306 2099	Decal - Fusing Cover 1	27- 7
H306 2099	Decal - Fusing Cover 1	71- 10
H306 2105	Fusing Guide Plate	33- 7
H306 2111	Fusing Grip	33- 1
H306 2112	Fusing Cover	33- 4
H306 2113	Pressure Frame	33- 8
H306 2117	Grounding Plate	33- 16
H306 2118	Grounding Plate	35- 13
H306 2120	Hot Roller	35- 7
H306 2136	Decal - High Temperature	71- 16
H306 2137	Paper Stripper Pawl	35- 11

Part No.	Description	Page and Index No.
H306 2138	Stripper Pawl Roller	35- 10
H306 2139	Stripper Pawl Stopper	35- 31
H306 2151	Fusing Unit Connector (NA/TWN)	35- 27
H306 2152	Fusing Unit Connector (EU/ASIA)	35- 27
H306 2160	Fusing Unit Ass'y (NA)	35- *
H306 2160	Fusing Unit Ass'y (NA)	33- *
H306 2166	Exit Roller (NA/TWN)	33- 13
H306 2167	Exit Roller	35- 22
H306 2168	Pressure Plate	33- 3
H306 2170	Fusing Unit Ass'y (EU/ASIA)	33- *
H306 2170	Fusing Unit Ass'y (EU)	35- *
H306 2178	Pressure Spring	33- 5
H306 2179	Fusing Harness Cover	35- 9
H306 2193	Front Release Lever	33- 12
H306 2194	Rear Release Lever	33- 9
H306 2701	Laser Protter Unit	23- 1
H306 2712	Grounding Wire	23- 12
H306 2712	Grounding Wire (EU)	41- 32
H306 2714	Shutter - LDUNI	23- 2
H306 3110	Left Cover	27- 4
H306 3111	Lock Lever	27- 9
H306 3113	Lock Lever Shaft	27- 11
H306 3114	Lock Spring	27- 8
H306 3115	Main Frame	45- 24
H306 3117	Front Support Plate - Long	47- 10
H306 3119	Rear Support Plate	47- 13
H306 3120	Support Plate Stay	45- 3
H306 3121	Angle	45- 2
H306 3122	Main Drive Housing	37- 4
H306 3123	Terminal Plate - OPC Drum	45- 18
H306 3124	Shutter Arm	25- 1
H306 3125	Safety Switch Cover	37- 10
H306 3126	Fan Motor Duct	41- 4
H306 3127	Harness Bracket	45- 25
H306 3128	PSU Bracket	47- 18

Part No.	Description	Page and Index No.
H306 3129	FCU Shield Cover	43- 11
H306 3130	Front Cover Bracket	47- 16
H306 3131	FCU Bracket - Long	45- 1
H306 3132	FCU Bracket - Short	45- 12
H306 3133	Power Supply Cord Bracket (NA/TWN)	47- 4
H306 3134	IC Card Guide	43- 29
H306 3137	Rear Registration Guide	31- 10
H306 3140	Lock Lever Button	27- 2
H306 3141	Lock Lever Stay	27- 29
H306 3142	Duct Sheet	45- 16
H306 3143	Transfer Roller Shutter - A3	27- 15
H306 3144	Front Lock Guide	45- 13
H306 3145	Rear Lock Guide	45- 10
H306 3146	Registration Scraper	31- 9
H306 3147	Rear Support Plate	47- 11
H306 3148	Left Spring Cover	27- 6
H306 3149	Lock Button Guide	27- 3
H306 3150	Shutter Spring	27- 13
H306 3152	Lock Guide Pin	45- 11
H306 3154	Duct Shield 1	45- 22
H306 3155	Duct Shield 2	45- 21
H306 3157	AIO Sensor Bracket	43- 22
H306 3158	Lower Shield 1	45- 5
H306 3159	Lower Shield 2	45- 4
H306 3160	Lower Shield 3	45- 6
H306 3161	Lower Shield 4	45- 8
H306 3162	Lower Shield 5	45- 7
H306 3163	Insulating Sheet - High Voltage	41- 20
H306 3164	Insulating Sheet - PSU	41- 8
H306 3165	Upper Fusing Sheet	45- 9
H306 3166	Fan Shield Holder	41- 2
H306 3167	Fan Shield	41- 1
H306 3168	Spring Plate	47- 20
H306 3169	Fan Duct S	41- 5
H306 3170	Fusing Front Shield	45- 14

Part No.	Description	Page and Index No.
H306 3173	Fusing Rear Shield	45- 15
H306 3174	Fusing Cover Shield	7- 10
H306 3175	AIO Cap (NA/SVN)	45- 27
H306 3176	AIO Cap (EU/ASIA/TWN)	45- 27
H306 3177	Gear - 30Z	27- 22
H306 3178	Positioning Roller	27- 26
H306 3179	Transfer Spacer Bushing	27- 23
H306 3182	Shutter Release Plate	27- 16
H306 3184	Decal - Fusing Cover 2	71- 9
H306 3184	Decal - Fusing Cover 2	27- 5
H306 3187	Front Stopper	47- 21
H306 3188	Bracket Inlet (EU/ASIA)	47- 24
H306 3189	Shielding Seal - 5x30	23- 3
H306 3190	Shielding Seal - 5x15	23- 4
H306 3192	Spacer	45- 28
H306 3193	Speaker Shield	45- 23
H306 3197	Adjusting Screw	45- 26
H306 3198	Clamp (EU/ASIA)	43- 33
H306 3199	Insulating Sheet - PSU (EU)	41- 8
H306 3218	Front Support Plate - Short	37- 2
H306 3235	Drive Shaft Support Plate	37- 3
H306 3256	AIO Cap (INF)	45- 27
H306 3322	Paper Tray Ass'y (NA)	29- *
H306 3323	Paper Tray Ass'y (EU/ASIA)	29- *
H306 3334	Adjusting Screw	29- 28
H306 3335	Decal - Paper Size	29- 27
H306 3346	Upper Stay	47- 8
H306 3347	Paper Feed Frame	47- 19
H306 3348	Sensor Bracket 1 - Paper End	41- 16
H306 3351	Paper End Sensor Feeler	41- 19
H306 3352	Sensor Bracket 2 - Paper End	47- 12
H306 3353	Guide Film 2	25- 3
H306 3354	Feeler Bracket	47- 17
H306 3355	Lever Spring	41- 14
H306 3356	Guide Film 1	25- 2

Part No.	Description	Page and Index No.
H306 3361	Transport Cover	25- 13
H306 3364	Spring Plate	25- 8
H306 3366	Front Cover Bracket	25- 12
H306 3369	Rear Cover Bracket	25- 11
H306 3381	Paper Feed Spring	29- 3
H306 3385	Paper Size Sensor Board 1 (NA/TWN)	29- 10
H306 3386	Paper Size Sensor Board 1 (EU)	29- 10
H306 3401	Registration Drive Roller	31- 6
H306 3403	Registration Sensor Cover	31- 14
H306 3404	Driven Roller Bushing	31- 2
H306 3405	Registration Guide Plate	31- 5
H306 3406	Upper Film	31- 4
H306 3407	Registration Spacer	31- 18
H306 3408	Registration Spring	31- 8
H306 3410	Paper Feed Roller Stay	31- 31
H306 3411	Front Shaft - Paper Feed Roller	31- 32
H306 3414	Transport Roller	31- 11
H306 3415	Transport Roller Gear	31- 17
H306 3416	Grounding Plate	45- 17
H306 3418	Drive Housing	39- 11
H306 3419	Slow Down Gear	39- 8
H306 3420	Idler Gear 1	39- 9
H306 3421	Idler Gear 2	39- 10
H306 3424	Rear Shaft - Paper Feed Roller	31- 30
H306 3427	Motor Bracket	39- 2
H306 3428	Housing Cover	39- 4
H306 3434	Lower Film 1	31- 19
H306 3435	Lower Film 2	31- 15
H306 3441	Jack Cover	47- 22
H306 4052	Rear Cover	7- 13
H306 4053	Upper Cover	7- 11
H306 4054	Right Cover	7- 19
H306 4055	Left Upper Cover	7- 3
H306 4056	ADF Front Cover	7- 2
H306 4057	ADF Rear Cover	7- 4



Part No.	Description	Page and Index No.
H306 4058	Option Cover	7- 21
H306 4059	Left Lower Cover	7- 1
H306 4060	Paper Feed Cover	7- 14
H306 4061	Auxiliary Tray	7- 12
H306 4062	Power Supply Cord Cover	41- 9
H306 4063	Operation Panel Bracket 1	43- 16
H306 4064	PIF Cover	7- 18
H306 4066	Operation Panel Bracket 2	43- 17
H306 4067	Front Cover	7- 20
H306 4069	Power Supply Cord Cover (EU/ASIA)	47- 23
H306 4109	Decal - Laser Class 1 (TWN)	7- 24
H306 4408	Operation Panel Ass'y (NA)	7- 17
H306 4408	Operation Panel Ass'y (NA)	9- 1
H306 4409	Operation Panel Ass'y (NA OEM)	9- 1
H306 4409	Operation Panel Ass'y (NA OEM)	7- 17
H306 4410	Operation Panel Ass'y (EU)	9- 1
H306 4410	Operation Panel Ass'y (EU)	7- 17
H306 4411	Operation Panel Ass'y (ASIA)	7- 17
H306 4411	Operation Panel Ass'y (ASIA)	9- 1
H306 4412	Operation Panel Ass'y (TWN)	9- 1
H306 4412	Operation Panel Ass'y (TWN)	7- 17
H306 4435	Operation Panel Case	9- 21
H306 4436	Quick Dial Plate	9- 17
H306 4437	Operation Panel Lens	9- 18
H306 4438	Keypop - Function	9- 14
H306 4439	Keypop - Dial	9- 15
H306 4440	Keypop - Start	9- 25
H306 4443	Keypop - Clear	9- 22
H306 4444	Keypop - LCD	9- 29
H306 4445	Keypop - Reset Switch	9- 28
H306 4446	Keypop - Copy	9- 27
H306 4449	Quick Dial Plate	9- 7
H306 4450	LCD Decal (RIC)	9- 2
H306 4450	LCD Decal (RIC)	71- 3
H306 4451	Dial Sheet 1	9- 10

Part No.	Description	Page and Index No.
H306 4452	Dial Sheet 2	9- 11
H306 4453	Dial Sheet 3	9- 5
H306 4454	Dial Sheet 4	9- 6
H306 4455	Dial Sheet 5	9- 8
H306 4456	Dial Sheet 6	9- 9
H306 4457	Dial Sheet 7	9- 12
H306 4458	Dial Sheet 8	9- 13
H306 4464	LCD Decal (SVN)	71- 3
H306 4464	LCD Decal (SVN)	9- 2
H306 4465	LCD Decal (GES)	71- 3
H306 4465	LCD Decal (GES)	9- 2
H306 4466	LCD Decal (EU/Asia/TWN)	9- 2
H306 4466	LCD Decal (EU/Asia/TWN)	71- 3
H306 4469	LCD Decal (INF)	71- 3
H306 4469	LCD Decal (INF)	9- 2
H306 4470	LCD Decal (NSA)	71- 3
H306 4470	LCD Decal (NSA)	9- 2
H306 4471	LCD Decal (REX)	71- 3
H306 4471	LCD Decal (REX)	9- 2
H306 4472	Start Decal	9-23
H306 4472	Start Decal	71- 6
H306 4473	Operation Decal	9- 4
H306 4473	Operation Decal	71- 5
H306 4474	Clear Decal	71- 4
H306 4474	Clear Decal	9- 3
H306 4476	Actuator 1 - Operation Panel	9- 20
H306 4477	Actuator 2 - Operation Panel	9- 19
H306 4478	Keypop - 10key (EU/TWN)	9- 24
H306 4479	Keypop - Stop	9- 26
H306 4480	Keypop - 10key (Asia)	9- 24
H306 4481	Keypop - 10key (NA)	9- 24
H306 4482	Start Decal - TWN	9- 23
H306 4482	Start Decal - TWN	71- 6
H306 4483	Operation Decal - TWN	71- 5
H306 4483	Operation Decal - TWN	9- 4

Part No.	Description	Page and Index No.
H306 4484	Clear Decal (TWN)	9- 3
H306 4484	Clear Decal - TWN	71- 4
H306 4602	Manual Feed Cover	27- 1
H306 4702	Hand Set Bracket 2	7- 23
H306 4703	Original Tray Ass'y	7- 5
H306 4704	Original Tray	7- 6
H306 4715	Hand Set Bracket	7- 22
H306 4790	Exit Tray Ass'y	7- 8
H306 5000	PSU (NA)	41- 26
H306 5011	PSU (EU)	41- 26
H306 5020	Sync Detector Board	23- 8
H306 5041	Spring Clutch	39- 6
H306 5042	Magnetic Clutch	39- 12
H306 5043	Registration Sensor	31- 12
H306 5044	Fam Motor - 80mm	41- 3
H306 5050	Original Sensor	19- 7
H306 5051	Xenon Lamp Board	21- 20
H306 5052	Xenon Lamp	21- 12
H306 5066	Heater - 115V	35- 3
H306 5067	Heater - 230V	35- 3
H306 5068	Thermofuse - 169 ° C	35- 8
H306 5070	Micro Switch - AM51634A531	37- 11
H306 5071	High Voltage Cord - B	41- 12
H306 5072	High Voltage Cord - C	41- 29
H306 5072	High Voltage Cord - C	41- 23
H306 5073	High Voltage Cord - T	27- 21
H306 5073	High Voltage Cord - T	41- 27
H306 5074	Grounding Wire	27- 20
H306 5074	Grounding Wire	39- 13
H306 5110	PSU Harness 1	41- 7
H306 5111	PSU Harness 2	41- 6
H306 5112	SCN Sensor Harness	19- 6
H306 5113	ADF Sensor Harness 1	13- 27
H306 5114	ADF Sensor Harness 2	13- 23
H306 5115	Paper Feed Sensor Harness 1	43- 27

Part No.	Description	Page and Index No.
H306 5116	Paper Feed Sensor Harness 2	41- 13
H306 5117	Toner End Sensor Harness	31- 24
H306 5117	Toner End Sensor Harness	43- 28
H306 5118	IDDR Harness	43- 4
H306 5119	Sync Detector Harness	23- 9
H306 5119	Sync Detector Harness	43- 3
H306 5120	NCU1 Harness	43- 6
H306 5121	NCU2 Harness	43- 32
H306 5122	Operation Panel Harness	43- 5
H306 5123	SBU Harness	21- 28
H306 5124	Safety Switch Harness	37- 12
H306 5125	Xenon Lamp Harness	43- 14
H306 5126	ADF Motor Harness	41- 25
H306 5127	Motor Harness - Paper Feed	39- 5
H306 5128	Power Pack Harness	41- 22
H306 5129	Main Motor Harness	37- 13
H306 5130	Polygon Motor Harness	43- 15
H306 5131	PFU Harness	43- 13
H306 5132	Connecting Harness - SCN Sensor	43- 10
H306 5133	Connecting Harness - ADF Sensor 1	43- 8
H306 5134	Connecting Harness - ADF Sensor 2	43- 9
H306 5135	Paper Feed Sensor Harness	31- 27
H306 5136	Connectiong Harness - SBU	43- 2
H306 5139	Registration Sensor Harness	31- 13
H306 5150	Grounding Wire	19- 5
H306 5151	Grounding Wire	19- 18
H306 5151	Grounding Wire	39- 14
H306 5200	Connectiong Harness - MIKE	43- 7
H306 5201	Counter Relay Harness	43- 31
H306 5202	AIO Harness (NA/NA OEM/INF)	43- 20
H306 5209	Transmitted Rubber Stamp	19- 16
H306 5210	NCU Relay Harness 4P	41- 24
H306 5218	Fusing Unit Harness	43- 19
H306 5220	Inlet (EU/ASIA)	47- 25
H306 5221	AIO Harness (EU/ASIA)	43- 20

Part No.	Description	Page and Index No.
H306 5223	Harness - NCU-6P (EU)	41- 30
H306 5224	Harness - NCU-4P (EU)	41- 31
H306 6050	SBU Board	21- 26
H306 6120	FCU Board - NA	43- 1
H306 6120	FCU Board - NA	54- *
H306 6130	FCU Board - TWN	43- 1
H306 6130	FCU Board - TWN	54- *
H306 6140	FCU Board - EU	43- 1
H306 6140	FCU Board - EU	63- *
H306 6167	Operation Panel Board	9- 16
H306 7103	IC - HICRW2	63- 3
H306 7103	IC - HICRW2	54- 1
H306 7111	Trans - LT9860	67- 1
H306 7121	Transformer - 98-60	69- 1
H306 8600	Operation Manual(NA)	71- 1
H306 8607	Operation Manual(TWN)	71- 1
H306 8609	Operation Manual(ASIA)	71- 1
H306 8629	Operation Manual(NRG ASIA)	71- 1
H306 8630	Operation Manual(NA OEM)	71- 1
H306 8650	Quick Reference (NA)	71- 2
H306 8660	Quick Reference (ASIA)	71- 2
H306 8666	Quick Reference (TWN)	71- 2

Part No.	Description	Page and Index No.
A077 2822	Plate Release Slider	29- 21
A193 9353	Flash ROM/SRAM Copy Tool	73- 2
A250 5730	Power Pack - BCT	41- 21
G011 3275	Snap Ring	39- 3
G020 2620	Push Switch - Paper Size	43- 26
G020 2772	By-pass Paper End Sensor	43- 21
G020 5439	Harness - Polygon Mirror Motor	23- 11
G020 5626	Push Switch	43- 23
G025 7100	IC - D65636-123	63- 1
G025 7100	IC - D65636-123	54- 11
G029 1061	Toner End Sensor Bracket	31- 23
G029 1062	Toner End Sensor Holder	31- 21
G029 1064	Toner End Sensor	31- 20
G029 1081	Grounding Plate - Drum	45- 19
G029 1083	Grounding Plate	41- 11
G029 1089	Grounding Plate - Charge	41- 10
G029 1105	Gear - C1	37- 9
G029 1108	Gear - C4	37- 7
G029 1109	Gear - C5	37- 6
G029 1117	Gear - C2	37- 8
G029 1118	Gear - C3	37- 5
G029 1253	Left Harness Cover - P3	27- 12
G029 1861	Laser Diode Unit	23- 5
G029 1900	Optical Housing	23- 6
G029 1907	Optical Housing Cover	23- 13
G029 1961	Polygon Scanner	23- 10
G029 1972	Shield Glass	45- 20
G029 1982	Decal - LD	23- 14
G029 1982	Decal - LD	71- 8
G029 3854	Compression Spring	27- 27
G029 3861	Release Spring	27- 17
G029 3864	Discharge Brush Terminal	27- 19
G029 3867	Shutter Cushion	27- 14
G029 3950	Transfer Roller A3	27- 24
G029 3967	Discharge Brush	27- 18

Part No.	Description	Page and Index No.
G029 4101	Fusing Frame	35- 17
G029 4120	Pressure Roller	33- 15
G029 4131	Idler Gear - Fusing	35- 33
G029 4132	Idler Gear - Exit	33- 11
G029 4133	Cover Screw	35- 20
G029 4134	Spring Plate	35- 32
G029 4139	Heater Holder	35- 15
G029 4140	External Circlip	35- 4
G029 4141	Grounding Plate 1	35- 2
G029 4143	Pickoff Pawl Spring	35- 28
G029 4144	Grounding Plate 2	35- 14
G029 4145	Bracket - Idler Ass'y	35- 34
G029 4148	Left Support Plate	35- 16
G029 4149	Right Support Plate	35- 1
G029 4151	Stripper Pawl Stopper	35- 19
G029 4158	Screw - M3x13	35- 30
G029 4171	Hot Roller Gear	35- 5
G029 4172	Hot Roller Bushing	35- 6
G029 4173	Hot Roller Bushing 2	35- 12
G029 4174	Pressure Roller Bushing	33- 10
G029 4176	Turn Roller - Exit Sub-unit	35- 29
G029 4183	Spring Plate 1	35- 25
G029 4184	Spring Plate 2	35- 24
G029 4185	Exit Roller Gear	33- 14
G029 4198	Spring Plate - Sub 1	35- 26
G029 4199	Spring Plate - Sub 2	35- 23
G029 4200	Drawer Screw	43- 18
G029 4201	PCU Sensor Holder	35- 18
G029 5500	Brushless Motor - DC24V 18W	37- 1
G030 3858	Pressure Spring	27- 28
G031 9350	IC Card Adapter P3/ P4	73- 1
G697 1261	Magnetic Catch Bracket	25- 6
G800 1217	Toner End Sensor Spring	31- 22
G800 3061	Driven Regist Roller	31- 1
G800 3073	Upper Seal	11- 5

Part No.	Description	Page and Index No.
G800 3093	Compression Spring	31- 3
G800 4851	Bushing	33- 17
G800 4854	Exit Roller	35- 21
H006 2316	Spacer - Pick-up Clutch	15- 12
H006 2383	Snap Ring	31- 16
H006 2383	Snap Ring	17- 8
H006 2383	Snap Ring	13- 17
H014 1101	Lense - F22.6	21- 23
H085 1514	Spring Clutch	15- 10
H310 2193	Exit Roller (EU/ASIA)	33- 13
H502 7111	Transistor - 2SC4505Q	67- 2
H504 4901	Cap - Telephone Socket (EU)	7- 25
H515 2455	Holder - Transfer Roller - Left	27- 25
H515 3543	E-Ring - Jre4	31- 7
H515 3543	E-Ring - Jre4	17-108
H515 3543	E-Ring - Jre4	29- 8
H515 3543	E-ring - Jre4	13- 19
H515 3709	Edgeing	47- 9
H515 5018	Cover Switch - Fusing Exit	13- 22
H515 5049	Monitor Speaker	43- 30
H515 7101	IC - LSI - LPC	63- 4
H515 7101	IC - LSI - LPC	54- 2
H515 7102	IC - LSI - VPP4F	63- 5
H515 7102	IC - LSI - VPP4F	54- 3
H515 7121	Oscillator - MC-306- 32.768KHz	63- 6
H515 7121	Oscillator - MC-306-32.768Khz	54- 4
H516 1262	Roller - Belt Tensioning	13- 34
H516 1262	Roller - Belt Tensioning	17- 28
H516 4095	Decal - Energystar	71- 12
H516 4095	Decal - Energystar	29- 14
H519 1176	Oil Dunper	11- 3
H519 1183	Exit Tray	7- 9
H519 1209	Pressure Roller	19- 8
H519 1212	Pressure Roller Shaft	19- 13
H519 1549	Front Lock Lever	17- 13

Part No.	Description	Page and Index No.
H519 1572	R0 Roller Collar	11- 16
H519 1575	R0 Roller Shaft	11- 18
H519 1580	Original Guide	7- 7
H519 1591	Pad - Reverse	13- 5
H519 1592	Spring Plate	13- 4
H519 1602	Guide Manual Feed Front	11- 6
H519 1607	Support Plate - By-pass Feed Table	11- 12
H519 1621	By-pass Feed Table	11- 10
H519 1623	By-pass Feed Guide	11- 9
H519 1640	Side Fence Sheet	11- 7
H519 1660	R0 Pressure Roller	11- 17
H519 1660	R0 Pressure Roller	19- 14
H519 1665	Side Fence Rack	11- 11
H519 1665	Side Fence Rack	15- 1
H519 1750	Front Side Fence	11- 28
H519 1751	Rear Side Fence	11- 29
H519 3011	Paper Feed Roller - 5mm	31- 28
H519 3012	Paper Feed Roller - 10mm	31- 29
H519 3018	Separation Hook - Rear	29- 4
H519 3021	Rear Side Fence	29- 23
H519 3024	Dide Fence Knob Spring	29- 7
H519 3025	Rear Side Fence Knob	29- 22
H519 3027	End Fence	29- 18
H519 3029	Decal - Paper Set	29- 17
H519 3029	Decal - Paper Set	71- 13
H519 3030	Paper Tray Grip	29- 12
H519 3033	Paper Size Sensor - Rear	29- 9
H519 3034	Spring Plate - Size Sensor	29- 13
H519 3035	Bottom Plate	29- 2
H519 3036	Bottom Plate Pad	29- 1
H519 3038	Decal - Paper Level	29- 11
H519 3038	Decal - Paper Level	71- 11
H519 3039	Rubber Foot	47- 1
H519 3042	Bottom Plate Stopper	47- 6
H519 3043	Paper Guide Plate - OP	25- 14

Part No.	Description	Page and Index No.
H519 3044	Tray Right Guide	47- 3
H519 3045	Tray Left Guide	47- 2
H519 3050	Paper Guide	25- 4
H519 3078	Tray Holder	47- 7
H519 3088	Lever	41- 15
H519 3096	Lock Bracket	47- 15
H519 3098	LED Cover	43- 25
H519 3331	Paper Tray	29- 15
H519 3332	Front Side Fence	29- 5
H519 3333	Plate Nut - Side Fence	29- 16
H519 3507	Pressure Roller Shaft	25- 5
H519 3540	Spring Plate	25- 10
H519 5205	Paper Feed Motor	39- 1
H519 5206	H.P Sensor	31- 26
H519 6035	RIB Board	43- 24
H519 7100	LSI QPCR30	54- 5
H519 7100	LSI QPCR30	63- 7
H521 1286	Gear - Feed Roller	15- 9
H521 1287	Gear - Pick-up Roller	15- 18
H521 1288	Collar - Pick-up	15- 19
H521 1290	Busing	13- 20
H521 1314	Spring Clutch - M6	15- 13
H521 1350	Pad - Pick-up	15- 5
H521 3340	Pressure Roller - Registration	25- 9
H521 3349	Rail	47- 5
H521 3355	C Ring - Paper Feed Roller	27- 10
H521 3356	Bushing - Paper Feed Roller	31- 25
H521 3412	Knob - Cassette	29- 6
H521 3415	Separation Hook - Front	29- 25
H521 3434	Spring Plate - End Fense	29- 19
H521 5327	Power Cord - 115V	41- 28
H521 5357	Power Cord - TWN	41- 28
H521 7150	IC - H5217150	63- 8
H521 7150	IC - H5217150	54- 6
H522 3411	Decal - Rear Side Fence	71- 14

Part No.	Description	Page and Index No.
H522 3411	Decal - Rear Side Fence	29- 24
H523 3310	Rear Bushing - Feed Roller	39- 7
H523 3352	Bushing - Paper Feed Roller	31- 33
H523 5003	Photointerrupter	13- 24
H523 5350	Telephone Cable	7- 15
H545 7100	IC - EXIOF	63- 9
H545 7100	IC - EXIOF	54- 7
H545 7108	HIC - 220/240V	69- 2
H547 7135	V.34 Modem R288F-27	63- 10
H547 7135	V.34 Modem R288F-27	54- 8
H551 7106	LSI SCP	63- 11
H551 7106	LSI SCP	54- 9
H551 7107	ROM - 4MBit	54- 10
H551 7107	ROM - 4MBit	63- 2
H553 3861	Decal - Super G3	29- 26
H553 3861	Decal - Super G3	71- 15

Part No.	Description	Page and Index No.
N607 4525	Choke Coil (EU/ASIA)	41- 33
N803 1000	Case - Flash Memory Card	73- 4
N803 6701	Flash Memory Card	73- 3

Part No.	Description	Page and Index No.
AA00 0542	Decal - Laser Class 1	7- 24
AA06 3205	Spring	29- 20
AA15 0332	Seal - 0.19x18x22	23- 7
AB01 3492	Gear - 16Z	11- 13
AG07 0012	Magnet	25- 7
AW02 0075	Photointerrupter	21- 5
AW02 0086	Photointerruptor	41- 17

Part No.	Description	Page and Index No.
0353 0030B	Philips Truss Head Screw - M3x3	25-102
0450 3006B	Tapping Screw - M3x6	7-103
0450 3006B	Tapping Screw - M3x6	15-101
0450 3006B	Tapping Screw - M3x6	9-102
0450 3006B	Tapping Screw - M3x6	11-103
0450 3006B	Tapping Screw - M3x6	21-102
0450 3008B	Tapping Screw - M3x8	21-101
0450 3008B	Tapping Screw - M3x8	17-102
0450 3008B	Tapping Screw - M3x8	39-103
0450 3008B	Tapping Screw - M3x8	43-102
0450 3008B	Tapping Screw - M3x8	19-103
0450 3008B	Tapping Screw - M3x8	47-102
0450 3008B	Tapping Screw - M3x8	45-105
0450 3008B	Tapping Screw - M3x8	25-101
0450 3008B	Tapping Screw - M3x8	27-102
0450 3008B	Tapping Screw - M3x8	33-103
0450 3008B	Tapping Screw - M3x8	35-101
0450 3008B	Tapping Screw - M3x8	37-102
0450 3008B	Tapping Screw - M3x8	41-102
0450 3008B	Tapping Screw - M3x8	15-102
0450 3008B	Tapping Screw - M3x8	11-101
0450 3008B	Tapping Screw - M3x8	13-102
0450 3010B	Tapping Screw - M3x10	33-101
0450 3010B	Tapping Screw - M3x10	21-104
0450 3010Z	Tapping Screw With Washer - M 3x10	33-102
0450 3012B	Tapping Screw -3x12	39-104
0450 3012B	Tapping Screw -3x12	35-103
0450 3016B	Tapping Screw - M3x16	23-101
0450 3016B	Tapping Screw - M3x16	37-104
0450 4008B	Tapping Screw - 4x8	47-105
0450 4008B	Tapping Screw - 4x8	45-104
0450 4008B	Tapping Screw - 4x8	19-101
0450 4010B	Tapping Screw - 4x10	37-103
0450 4035B	Philips Tapping Screw - M4x35	41-103
0451 3005B	Tapping Screw - M3x5	47-103

Part No.	Description	Page and Index No.
0451 3006B	Tapping Screw - M3x6	41-101
0451 3006B	Tapping Screw - M3x6	31-101
0451 3006B	Tapping Screw - M3x6	45-101
0451 3006B	Tapping Screw - M3x6	37-101
0451 3006B	Tapping Screw - M3x6	47-104
0451 3006B	Tapping Screw - M3x6	13-101
0451 3006B	Tapping Screw - M3x6	19-102
0451 3006B	Tapping Screw - M3x6	43-101
0451 3006B	Tapping Screw - M3x6	39-102
0451 3006B	Tapping Screw - M3x6	17-101
0451 3008B	Tapping Screw - M3x8	17-103
0451 3008H	Tapping Screw - 3x8	7-102
0451 3008H	Tapping Screw - 3x8	15-103
0451 3010B	Tapping Screw - M3x10	47-101
0451 3020B	Tapping Screw - 3x20	45-102
0452 3008B	Tapping Screw - M3x8	43-103
0452 3008B	Tapping Screw - M3x8	11-102
0452 3008B	Tapping Screw - M3x8	23-103
0452 3008B	Tapping Screw - M3x8	29-101
0452 3010B	Tapping Bind Screw - M3x10	23-102
0453 3006B	Tapping Screw - M3x6	39-101
0453 3008H	Binding Self Tapping Screw - M3x8	7-101
0453 3008H	Binding Self Tapping Screw - M3x8	9-101
0720 0030E	Retaining Ring - M3	15-105
0720 0040E	Retaining Ring - M4	15-104
0805 3386	Bushing - 8mm	39-105
0805 3480	Bushing - 6mm	31-102
0805 3480	Bushing - 6mm	17-104
0805 3480	Bushing - 6mm	15-106
0805 3480	Bushing - 6mm	13-103
0807 4069	Washer - 6.2x12x0.4mm	11-104
0951 3004B	Philps Screw With Flat Washer - m3x4	17-105
0951 3006B	Philips Screw With Flat Washer - M3x6	27-101
0951 3008B	Philips Screw With Flat Washer - M3x8	21-103
0954 3006B	Screw - M3X6	41-104

Part No.	Description	Page and Index No.
0954 3008B	Philips Screw - M3x8	35-102
0954 3012B	Screw - M3X12	21-105
0954 4006B	Screw - M4X6	47-109
0954 4006B	Screw - M4X6	41-105
1002 0307	Jumper Wire	54-101
1102 4201	Connector - 2P	63-101
1102 4201	Connector - 2P	54-102
1102 4203	CT Header - 4P	63-102
1102 4203	CT Header - 4P	69-101
1102 4203	CT Header - 4P	67-101
1102 4203	CT Header - 4P	54-103
1102 4204	CT Header - 5P	69-102
1102 4204	CT Header - 5P	63-103
1102 4205	CT Header- 6p	63-104
1102 4205	CT Header- 6p	69-103
1102 4205	CT Header- 6p	54-104
1102 4207	Connector - 8P	54-105
1102 4207	Connector - 8P	63-105
1102 4208	Connector - 9P	63-106
1102 4208	Connector - 9P	54-106
1102 4209	CT Header - 10P	54-107
1102 4209	CT Header - 10P	63-107
1102 4211	CT Header - 12P	63-108
1102 4211	CT Header - 12P	54-108
1102 4212	CT Header - 15P	69-104
1102 4212	CT Header - 15P	54-109
1102 4212	CT Header - 15P	67-102
1102 4212	CT Header - 15P	63-109
1102 4560	Relay Connector - 6P	39-108
1102 4620	CT Header - 3P	63-110
1102 4620	CT Header - 3P	54-110
1102 4622	CT Connector - 5p	54-111
1102 4622	CT Connector - 5p	63-111
1102 4623	CT Connector - 6p	63-112
1102 4623	CT Connector - 6p	54-112



Part No.	Description	Page and Index No.
1102 4624	CT Connector - 7p	63-113
1102 4624	CT Connector - 7p	54-113
1102 4627	Connector - 10P	63-114
1102 4627	Connector - 10P	54-114
1102 4631	CT Connector - 2p	54-115
1102 4631	CT Connector - 2p	63-115
1102 4634	CT Connector - 5p	54-116
1102 4634	CT Connector - 5p	63-116
1102 4635	Connector - 6P	63-117
1102 4635	Connector - 6P	54-117
1102 4639	CT Connector - 10p	63-118
1102 4639	CT Connector - 10p	54-118
1102 4643	CT Connector - 2p	63-119
1102 4643	CT Connector - 2p	54-119
1102 4646	Connector - 5P	63-120
1102 4646	Connector - 5P	54-120
1102 4647	Connector - 6P	54-121
1102 4647	Connector - 6P	63-121
1102 4650	Connector - 9P	63-122
1102 4650	Connector - 9P	54-122
1102 4651	Connector - 10P	63-123
1102 4651	Connector - 10P	54-123
1102 4871	Connector - 12P	41-110
1102 5071	Relay Connector - 9P	39-109
1102 5193	Connector - 10P	37-107
1102 5194	Relay Connector - 7P	39-110
1102 5570	Connector - 24P	63-124
1102 5570	Connector - 24P	54-124
1102 5844	Connector - 5566-02A	63-125
1102 5844	Connector - 5566-02A	54-125
1102 6307	Connector - 14P	63-126
1102 6307	Connector - 14P	54-126
1102 7029	Connector - 8p - 53375-0810	54-127
1102 7029	Connector - 8p - 53375-0810	63-127
1102 7093	Connector - 53375-0610	54-128

Part No.	Description	Page and Index No.
1102 7093	Connector - 53375-0610	63-128
1102 7390	Connector TX24-100R-6ST-H1	54-129
1102 7390	Connector TX24-100R-6ST-H1	63-129
1102 7395	Sim Socket - 89185-7214	63-130
1102 8036	Connector - 68P	54-130
1102 8036	Connector - 68P	63-131
1102 8106	Connector-53495-8817	63-132
1102 8106	Connector-53495-8817	54-131
1104 0739	SIMM Socket 72p	54-132
1105 0193	Nylon Stud	41-108
1105 0344	Clamp	41-109
1105 0344	Clamp	17-107
1105 0344	Clamp	37-105
1105 0344	Clamp	47-106
1105 0344	Clamp	39-107
1105 0350	Wire Saddle - 1m	23-105
1105 0368	Clump - Mn-2	23-104
1105 0409	Card Spacer - 6.4mm	41-107
1105 0460	Clamp	17-106
1105 0460	Clamp	11-105
1105 0487	Harness Clamp	37-106
1105 0487	Harness Clamp	39-106
1105 0488	Harness Clamp	43-104
1105 0488	Harness Clamp	47-107
1105 0488	Harness Clamp	41-106
1105 0489	Harness Clamp - LWS 1316	45-103
1105 0489	Harness Clamp - LWS 1316	47-108
1107 0947	Fuse - 230.500	67-103
1150 0024	Power Cord - 250V (ASIA)	41- 28
1204 2394	Slide Switch - JSC1210-0101	63-133
1204 2394	Slide Switch - JSC1210-0101	54-133
1204 2502	Switch - HSW1060-01-020	63-134
1204 2502	Switch - HSW1060-01-020	54-134
1206 0081	Lithium Battery - MI2430-HJ1	54-135
1206 0081	Lithium Battery - MI2430-hj1	63-135

Part No.	Description	Page and Index No.
1206 0082	Lithium Cell- CR2450-HJ3	54-136
1206 0082	Lithium Cell- CR2450-HJ3	63-136
1208 1410	Relay - EC2-224ND	67-104
1208 1410	Relay - EC2-224ND	69-105
1208 1419	Relay -ALD124	69-106
1400 0355	Transistor:DTC144EKA	54-137
1400 0355	Transistor:DTC144EKA	63-137
1400 0358	Transistor - 2SA950-0	69-107
1400 0373	Transistor - DTA114YKA	54-138
1400 0373	Transistor - DTA114YKA	63-138
1400 0392	Transistor - DTC114EK	54-139
1400 0392	Transistor - DTC114EK	63-139
1400 0395	Transistor:DTA114EKA	54-140
1400 0395	Transistor:DTA114EKA	63-140
1400 0398	Transistor - 2SC2412K	63-141
1400 0398	Transistor - 2SC2412K	54-141
1400 0555	Transistor - DTC143EK	54-142
1400 0555	Transistor - DTC143EK	63-142
1400 0576	Transistor:2SC3621	69-108
1400 0577	Transistor:2SA1320	69-109
1400 0595	Transistor - DTB123TK	54-143
1400 0595	Transistor - DTB123TK	63-143
1400 0649	Transistor - DTC143TK	63-144
1400 0649	Transistor - DTC143TK	54-144
1400 0680	Transistor - 2SA1813	63-145
1400 0680	Transistor - 2SA1813	54-145
1400 0711	Transistor-2SB1241	63-146
1400 0711	Transistor-2SB1241	54-146
1400 0733	Transistor - 2SD1866	54-147
1400 0733	Transistor - 2SD1866	63-147
1400 0747	Transistor-2SD1863	63-148
1400 0747	Transistor-2SD1863	54-148
1400 0752	Transistor - FMY6	54-149
1400 0752	Transistor - FMY6	63-149
1400 0826	Transistor - 2SA1776	67-105

Part No.	Description	Page and Index No.
1400 0844	Transistor - FMG8A	69-110
1400 0844	Transistor - FMG8A	67-106
1401 0821	Diode - 1SS133	69-111
1401 0821	Diode - 1SS133	54-150
1401 0821	Diode - 1SS133	63-150
1401 0821	Diode - 1SS133	67-107
1401 1051	Transistor - 2SJ374	54-151
1401 1051	Transistor - 2SJ374	63-151
1402 0478	Diode - 1SS226TE85L	54-152
1402 0478	Diode - 1SS226TE85L	63-152
1402 1029	Diode - 1SS293	63-153
1402 1029	Diode - 1SS293	54-153
1402 1185	Diode - ERA15-01 1A	63-154
1402 1185	Diode - ERA15-01 1A	54-154
1402 1223	Diode:MTZJ2.0A	69-112
1402 1224	Diode - MTZJ5.1A	67-108
1402 1224	Diode - MTZJ5.1A	69-113
1402 1237	Diode - 60V - 1A	63-155
1402 1237	Diode - 60V - 1A	54-155
1402 1296	Zener Diode - HZ3C1	63-156
1402 1296	Zener Diode - Hz3c1	54-156
1402 1335	Bridge-S1WB(A)60	69-114
1402 1336	Diode - 1SS355	54-157
1402 1336	Diode - 1SS355	63-157
1402 1337	Diode-RB731U	54-158
1402 1337	Diode-RB731U	63-158
1402 1343	Diode - RB106L-40	63-159
1402 1458	Diode:1SS315	54-159
1402 1458	Diode:1SS315	63-160
1402 1459	Diode-RB706F-40	63-161
1402 1459	Diode-RB706F-40	54-160
1403 0598	Photo Coupler - PS2501-2	67-109
1403 0620	Photo Coupler	67-110
1403 0791	Photocoupler - PS2561-1-V	69-115
1403 0812	Photocoupler - PS2532-1-V	69-116

Part No.	Description	Page and Index No.
1403 0812	Photocoupler - PS2532-1-V	67-111
1403 0950	Photocoupler- PS2532-2-V	69-117
1404 0129	Varystor - VR - 63B	67-112
1404 0283	Varistor:TNR9G431K	69-118
1404 0341	Varystor - TNR9G101K	67-113
1404 0342	Varistor:TNR9G121K	69-119
1404 0937	Arastor - DSSV-401M-YD	67-114
1405 0180	Rectifier - OR5G4B42	69-120
1405 0180	Rectifier - OR5G4B42	67-115
1407 1878	IC - TC4053BF	54-161
1407 1878	IC - TC4053BF	63-162
1407 2187	TTLIC - SN74LS07NS	63-163
1407 2187	TTLIC - SN74LS07NS	54-162
1407 2210	IC - T6668A	54-163
1407 2210	IC - T6668A	63-164
1407 2219	IC - TD62003AP	63-165
1407 2219	IC - TD62003AP	54-164
1407 2945	Voltage Detector - RH5VA43AX	54-165
1407 2945	Voltage Detector - RH5VA43AX	63-166
1407 3293	IC - TC74HC161AF	63-167
1407 3293	IC - TC74HC161AF	54-166
1407 3543	IC - SLA7024M	63-168
1407 3543	IC - SLA7024M	54-167
1407 4300	IC - TC74VHC32F	54-168
1407 4300	IC - TC74VHC32F	63-169
1407 4594	CMOS IC - TC74VHC00F	63-170
1407 4594	CMOS IC - TC74VHC00F	54-169
1407 4605	CMOS IC - TC74VHC14F	63-171
1407 4605	CMOS IC - TC74VHC14F	54-170
1407 4615	IC - TC74VHC02F	63-172
1407 4615	IC - TC74VHC02F	54-171
1407 4713	IC-SLA7026M(LF872)	63-173
1407 4713	IC-SLA7026M(LF872)	54-172
1407 4718	IC - TC74VHC08F	63-174
1407 4718	IC - TC74VHC08F	54-173

Part No.	Description	Page and Index No.
1407 4726	IC - CXP2006M	63-175
1407 4726	IC - CXP2006M	54-174
1407 4728	CMOSIC-TC7W08FU	63-176
1407 4728	CMOSIC-TC7W08FU	54-175
1407 4804	IC-TC7SH08FU	54-176
1407 4804	IC-TC7SH08FU	63-177
1407 4835	IC - TC74VHC74F	63-178
1407 4835	IC - TC74VHC74F	54-177
1407 4874	CMOSIC-74VHC32 TSSOP	63-179
1407 4874	CMOSIC-74VHC32 TSSOP	54-178
1407 4902	IC-74VHC157:TSSOP	63-180
1407 4902	IC-74VHC157:TSSOP	54-179
1407 5046	CMOS IC - TC7SET02FU	54-180
1407 5046	CMOS IC - TC7SET02FU	63-181
1407 5061	IC - Flash Memory - 16MX8/16 70NS	63-182
1407 5061	IC - Flash Memory - 16MX8/16 70NS	54-181
1408 0427	IC - LM393PS	54-182
1408 0427	IC - LM393PS	63-183
1408 0461	IC - NJM4558M	63-184
1408 0461	IC - NJM4558M	54-183
1408 0916	Voltage Regulator - RH5RA40AA	63-185
1408 0916	Voltage Regulator - RH5RA40AA	54-184
1408 1012	IC - L78050CV	63-186
1408 1012	IC - L78050CV	54-185
1408 1017	Regurator - TA7812S 12V 1A	63-187
1408 1017	Regurator - TA7812S 12V 1A	54-186
1408 1059	Voltage Regulator - RH5VL43CC	54-187
1408 1059	Voltage Regulator - RH5VI43CC	63-188
1408 1191	DC/DC Converter - RH5RI501B	54-188
1408 1191	DC/DC Converter - RH5RI501B	63-189
1408 1237	IC - BU8872FS	54-189
1408 1237	IC - BU8872FS	63-190
1408 1333	IC - BA6162F	54-190
1408 1333	IC - BA6162F	63-191
1503 0069	Oscillator - 8.00MHZ	54-191

Part No.	Description	Page and Index No.
1503 0069	Oscillator - 8.00MHZ	63-192
1503 0781	Oscillator - CST 4.19MGW213	54-192
1503 0781	Oscillator - CST 4.19MGW213	63-193
1503 0825	Oscillator - 8MHZ	54-193
1503 0825	Oscillator - 8MHZ	63-194
1503 0889	Oscillator - 38.00053MHZ	54-194
1503 0889	Oscillator - 38.00053MHZ	63-195
1503 0890	Oscillator - 42.22132MHZ	54-195
1503 0890	Oscillator - 42.22132MHZ	63-196
1503 0906	Crystal Oscilator:28.224mhz	63-197
1503 0906	Crystal Oscilator:28.224Mhz	54-196
1600 1552	Resistor - 47Ω ±5% 2W	54-197
1600 1552	Resistor - 47Ω ±5% 2W	63-198
1600 1625	Resistor - 100 Ω 1/2W ±5%	63-199
1600 1625	Resistor - 100 Ω 1/2W ±5%	54-198
1600 1638	Resistor - 47Ω ±5% 1W	69-121
1601 5276	Resistor - 18 Ω	67-116
1601 5362	Resistor - 1Ω ±5% 1W	54-199
1601 5362	Resistor - 1Ω ±5% 1W	63-200
1601 5420	Resistor - 120Ω ±5% 2W	69-122
1601 7751	Resistor - 4.7KΩ ±5%	54-200
1601 7751	Resistor - 4.7KΩ ±5%	63-201
1601 7752	Resistor Array - 10K Ω ±5%	63-202
1601 7752	Resistor Array - 10K Ω ±5%	54-201
1601 7757	Resistor 0Ω	54-202
1601 7757	Resistor 0Ω	63-203
1601 7760	Resistor Array	54-203
1601 7760	Resistor Array	63-204
1601 7871	Resistor - 68Ω ±5% 1/16W	54-204
1601 7871	Resistor - 68Ω ±5% 1/16W	63-205
1601 7872	Resistor Array - 220 Ω ±5% 1/16W	63-206
1601 7872	Resistor Array - 220 Ω ±5% 1/16W	54-205
1604 4298	Capacitor 220μF ±20% 25V	63-207
1604 4298	Capacitor 220μF ±20% 25V	54-206
1604 4301	Capacitor 220μF:±20%	69-123

Part No.	Description	Page and Index No.
1604 4354	Capacitor - 3.3μF	63-208
1604 4477	Capacitor - 10μF ±20% 35V	54-207
1604 4477	Capacitor - 10μF ±20% 35V	63-209
1604 4478	Capacitor:220μF ±20% 35V	54-208
1604 4478	Capacitor:220μF ±20% 35V	63-210
1604 4575	Capacitor 27μF ±20% 50V	63-211
1604 4575	Capacitor 27μF ±20% 50V	54-209
1604 4661	Capacitor:100μF ±20% 50V	63-212
1604 4661	Capacitor:100μF ±20% 50V	54-210
1605 0643	Capacitor - 0.1MICRO F	63-213
1605 0724	Capacitor - 510PF	63-214
1605 0724	Capacitor - 510PF	54-211
1605 0761	Capacitor - 0.15μF ±10% 16V	63-215
1605 0853	Condensor - 1μF +80/20% 16V	63-216
1605 0853	Condensor - 1μF +80/20% 16V	54-212
1605 0860	Capacitor - 0.068μF ±10% 50V	54-213
1605 0925	Capacitor - 0.22μF ±10% 16V	63-217
1605 0925	Capacitor - 0.22μF ±10% 16V	54-214
1605 0945	Capacitor - 4.7μF +80-20	63-218
1605 0945	Capacitor - 4.7μF +80-20	54-215
1605 1055	Capacitor-0.022μF:±10%25V	54-216
1605 1055	Capacitor-0.022μF:±10%25V	63-219
1606 1761	Capacitor - 1.0μF 250V	69-124
1606 1860	Capacitor - 0.47μF 250V	69-125
1606 1860	Capacitor - 0.47μF 250V	67-117
1606 1877	Capacitor:0.027μF:±10%	69-126
1606 2026	Capacitor - 0.1μF ±10%	69-127
1607 0069	Fuse - BL02RN2-R62-PB	69-128
1607 0069	Fuse - BL02RN2-R62-PB	67-118
1607 0388	SBC Coil - 10UH	63-220
1607 0388	SBC Coil - 10UH	54-217
1607 0396	Choke - SBT-0180W	67-119
1607 0536	Fuse Core - EXCELDR35C	54-218
1607 0536	Fuse Core - EXCELDR35C	69-129
1607 0536	Fuse Core - EXCELDR35C	63-221

Part No.	Description	Page and Index No.
1607 0760	Coil TLF9UB302W	69-130
1607 0808	Inductor BLM11B141DPB	63-222
1607 0808	Inductor BLM11B141DPB	54-219
1607 0821	Coil - ELD10E221	54-220
1607 0821	Coil - ELD10E221	63-223
1607 0824	Filter BLM11A601SPB	63-224
1607 0824	Filter BLM11A601SPB	54-221
1607 0859	Fuse - BLM21B102S	63-225
1607 0859	Fuse - BLM21B102S	54-222
1607 0917	Inductor - LK2125 8R2K	63-226
1607 0917	Inductor - LK2125 8R2K	54-223
1607 0973	Inductor - BLM11A121SPB	63-227
1607 0973	Inductor - BLM11A121SPB	54-224
1607 0978	Inductor - BLM21P300SPB	63-228
1607 0978	Inductor - BLM21P300SPB	54-225
1607 1083	Coil ELF1010SKI-332J	69-131
1607 1091	Filter-NFM40P12C223	54-226
1607 1091	Filter-NFM40P12C223	63-229
1607 1124	Filter- BLM11A471SGPB	63-230
1607 1124	Filter- BLM11A471SGPB	54-227
1607 1142	Filter-BLM11B121SBPB	54-228
1607 1142	Filter-BLM11B121SBPB	63-231
1611 4120	Resistor - 12 $\Omega$ 1/4W	69-132
1611 4153	Resistor - 15K $\Omega$ 1/4T $\pm$ 5%	69-133
1611 4473	Resistor - 47K $\Omega$ 1/4T $\pm$ 5%	67-120
1611 9182	Resistor - 1.8k $\Omega$ $\pm$ 5% 1/2W	67-121
1611 9303	Resistor 30k $\Omega$ $\pm$ 5% 1/2W	69-134
1630 1151	Resistor - 150 $\Omega$ $\pm$ 5% 1/4W	63-232
1630 1151	Resistor - 150 $\Omega$ $\pm$ 5% 1/4W	54-229
1630 1201	Resistor - 200 $\Omega$ $\pm$ 5% 1/4W	54-230
1630 1201	Resistor - 200 $\Omega$ $\pm$ 5% 1/4W	63-233
1630 1562	Resistor - 5.6 $\Omega$ $\pm$ 5% 1/4W	63-234
1630 1562	Resistor - 5.6 $\Omega$ $\pm$ 5% 1/4W	54-231
1630 1681	Resistor - 600 $\Omega$ $\pm$ 5%	54-232
1630 1681	Resistor - 680 $\Omega$ : $\pm$ 5%	63-235

Part No.	Description	Page and Index No.
1630 2103	Resistor - 10K $\Omega$ 1/8W	54-233
1630 2103	Resistor - 10K $\Omega$ 1/8W	63-236
1630 2471	Resistor - 470 $\Omega$ 1/8W $\pm$ 5%	54-234
1630 2471	Resistor - 470 $\Omega$ 1/8W $\pm$ 5%	63-237
1630 3100	Resistor - 10 $\Omega$ $\pm$ 5% 1/10W	54-235
1630 3100	Resistor - 10 $\Omega$ $\pm$ 5% 1/10W	69-135
1630 3100	Resistor - 10 $\Omega$ $\pm$ 5% 1/10W	63-238
1630 3101	Resistor - 100 $\Omega$ - 1/10W	63-239
1630 3101	Resistor - 100 $\Omega$ - 1/10W	54-236
1630 3103	Resistor - 10K $\Omega$ 1/10W $\pm$ 5%	69-136
1630 3103	Resistor - 10K $\Omega$ 1/10W $\pm$ 5%	63-240
1630 3103	Resistor - 10K $\Omega$ 1/10W $\pm$ 5%	54-237
1630 3104	Resistor - 100K $\Omega$ 1/10W $\pm$ 5%	67-122
1630 3151	Resistor - 150 $\Omega$ $\pm$ 5% 1/10W	67-123
1630 3163	Resistor - 16K $\Omega$ $\pm$ 5% 1/10W	63-241
1630 3163	Resistor - 16K $\Omega$ $\pm$ 5% 1/10W	54-238
1630 3180	Resistor - 18 $\Omega$ $\pm$ 5% 1/10W	67-124
1630 3302	Resistor - 3k $\Omega$ - 1/10W	69-137
1630 3392	Resistor - 3.9k $\Omega$ - 1/10W	67-125
1630 3471	Resistor - 470 $\Omega$ - 1/10W	69-138
1630 3472	Resistor - 4.7K $\Omega$ 1/10W $\pm$ 5%	69-139
1630 3561	Resistor - 560 $\Omega$ $\pm$ 5% 1/10W	54-239
1630 3561	Resistor - 560 $\Omega$ $\pm$ 5% 1/10W	63-242
1630 4101	Resistor - 100 $\Omega$ $\pm$ 5% 1/16W	54-240
1630 4101	Resistor - 100 $\Omega$ $\pm$ 5% 1/16W	63-243
1630 4102	Resistor - 1.0K $\Omega$ $\pm$ 5% 1/16W	54-241
1630 4102	Resistor - 1.0K $\Omega$ $\pm$ 5% 1/16W	63-244
1630 4103	Resistor - 10K $\Omega$ $\pm$ 5% 1/16W	54-242
1630 4103	Resistor - 10K $\Omega$ $\pm$ 5% 1/16W	63-245
1630 4104	Resistor - 100 $\Omega$ $\pm$ 5% 1/16W	63-246
1630 4104	Resistor - 100 $\Omega$ $\pm$ 5% 1/16W	54-243
1630 4105	Resistor - 1.0M $\Omega$ $\pm$ 5% 1/16W	54-244
1630 4105	Resistor - 1.0M $\Omega$ $\pm$ 5% 1/16W	63-247
1630 4123	Resistor - 12k $\Omega$ - $\pm$ 5% - 1/16W	54-245
1630 4123	Resistor - 12k $\Omega$ - $\pm$ 5% - 1/16W	63-248

Part No.	Description	Page and Index No.
1630 4152	Resistor - 1.5K $\Omega$ $\pm$ 5% 1/16W	54-246
1630 4152	Resistor - 1.5K $\Omega$ $\pm$ 5% 1/16W	63-249
1630 4184	Resistor - 180k $\Omega$ $\pm$ 5% 1/16W	54-247
1630 4184	Resistor - 180k $\Omega$ $\pm$ 5% 1/16W	63-250
1630 4201	Resistor - 200 $\Omega$ - $\pm$ 5% - 1/16W	63-251
1630 4201	Resistor - 200 $\Omega$ - $\pm$ 5% - 1/16W	54-248
1630 4204	Resistor - 200K $\Omega$ $\pm$ 5% 1/16W	54-249
1630 4204	Resistor - 200K $\Omega$ $\pm$ 5% 1/16W	63-252
1630 4223	Resistor - 22K $\Omega$ $\pm$ 5% 1/16W	54-250
1630 4223	Resistor - 22K $\Omega$ $\pm$ 5% 1/16W	63-253
1630 4242	Resistor - 2.4k $\Omega$ - $\pm$ 5% - 1/16W	63-254
1630 4242	Resistor - 2.4k $\Omega$ - $\pm$ 5% - 1/16W	54-251
1630 4273	Resistor - 27k $\Omega$ - $\pm$ 5% - 1/16W	54-252
1630 4273	Resistor - 27k $\Omega$ - $\pm$ 5% - 1/16W	63-255
1630 4274	Resistor:270k $\Omega$ : $\pm$ 5%:1/16W	63-256
1630 4274	Resistor:270k $\Omega$ : $\pm$ 5%:1/16W	54-253
1630 4330	Resistor - 33 $\Omega$ $\pm$ 5% 1/8W	63-257
1630 4330	Resistor - 33 $\Omega$ $\pm$ 5% 1/8W	54-254
1630 4331	Resistor - 330 $\Omega$ $\pm$ 5% 1/16W	63-258
1630 4331	Resistor - 330 $\Omega$ $\pm$ 5% 1/16W	54-255
1630 4332	Resistor - 3.3K $\Omega$ $\pm$ 5% 1/16W	63-259
1630 4332	Resistor - 3.3K $\Omega$ $\pm$ 5% 1/16W	54-256
1630 4334	Resistor - 330K $\Omega$ $\pm$ 5% 1/16W	54-257
1630 4334	Resistor - 330K $\Omega$ $\pm$ 5% 1/16W	63-260
1630 4393	Resistor - 39k $\Omega$ - $\pm$ 5% - 1/16W	63-261
1630 4393	Resistor - 39k $\Omega$ - $\pm$ 5% - 1/16W	54-258
1630 4394	Resistor - 390k $\Omega$ - $\pm$ 5% - 1/16W	54-259
1630 4394	Resistor - 390k $\Omega$ - $\pm$ 5% - 1/16W	63-262
1630 4472	Resistor - 4.7K $\Omega$ $\pm$ 5% 1/16W	63-263
1630 4472	Resistor - 4.7K $\Omega$ $\pm$ 5% 1/16W	54-260
1630 4473	Resistor - 47k $\Omega$ - $\pm$ 5% - 1/16W	54-261
1630 4473	Resistor - 47k $\Omega$ - $\pm$ 5% - 1/16W	63-264
1630 4513	Resistor - 51k $\Omega$ - $\pm$ 5% - 1/16W	63-265
1630 4513	Resistor - 51k $\Omega$ - $\pm$ 5% - 1/16W	54-262
1630 4562	Resistor - 5.6k $\Omega$ - $\pm$ 5% - 1/16W	63-266

Part No.	Description	Page and Index No.
1630 4562	Resistor - 5.6k $\Omega$ - $\pm$ 5% - 1/16W	54-263
1633 0000	Resistor - 0 $\Omega$ 1/10W	54-264
1633 0000	Resistor - 0 $\Omega$ 1/10W	63-267
1633 1000	Resistor - 100 $\Omega$ $\pm$ 1% 1/10W	63-268
1633 1050	Resistor - 105 $\Omega$ $\pm$ 1% 1/10W	54-265
1633 1050	Resistor - 105 $\Omega$ $\pm$ 1% 1/10W	63-269
1633 1051	Resistor - 1.05 $\Omega$ $\pm$ 1% 1/10W	54-266
1633 1051	Resistor - 1.05 $\Omega$ $\pm$ 1% 1/10W	63-270
1633 1602	Resistor - 16K $\Omega$ $\pm$ 1% 1/4W	69-140
1633 2002	Resistor - 20K $\Omega$ $\pm$ 1% 1/10W	67-126
1633 2370	Resistor - 237 $\Omega$ $\pm$ 1% 1/10W	54-267
1633 2370	Resistor - 237 $\Omega$ $\pm$ 1% 1/10W	63-271
1633 2490	Resistor - 249 $\Omega$ - $\pm$ 1% - 1/10W	54-268
1633 2800	Resistor - 280 $\Omega$ - $\pm$ 1% - 1/10W	54-269
1633 2800	Resistor - 280 $\Omega$ - $\pm$ 1% - 1/10W	63-272
1633 3489	Resistor - 34.8 $\Omega$ $\pm$ 1% 1/10W	54-270
1633 3489	Resistor - 34.8 $\Omega$ $\pm$ 1% 1/10W	63-273
1633 3900	Resistor - 390 $\Omega$ $\pm$ 1% 1/10W	63-274
1633 4702	Resistor - 47K $\Omega$ $\pm$ 1/10W	67-127
1633 6659	Resistor - 66.5 $\Omega$ $\pm$ 1% 1/10W	54-271
1633 6659	Resistor - 66.5 $\Omega$ $\pm$ 1% 1/10W	63-275
1633 7501	Resistor - 7.5K $\Omega$ $\pm$ 5% 1/10W	69-141
1633 9310	Resistor - 931 $\Omega$ $\pm$ 1% 1/10W	54-272
1633 9310	Resistor - 931 $\Omega$ $\pm$ 1% 1/10W	63-276
1634 0000	Resistor - 0 $\Omega$ 1/16W	54-273
1634 0000	Resistor - 0 $\Omega$ 1/16W	63-277
1634 1001	Resistor - 1K $\Omega$ $\pm$ 5% 1/16W	54-274
1634 1001	Resistor - 1K $\Omega$ $\pm$ 5% 1/16W	63-278
1634 1002	Resistor - 10 $\Omega$ $\pm$ 5% 1/16W	54-275
1634 1002	Resistor - 10 $\Omega$ $\pm$ 5% 1/16W	63-279
1634 1243	Resistor - 124K $\Omega$ $\pm$ 1% 1/16W	54-276
1634 1243	Resistor - 124K $\Omega$ $\pm$ 1% 1/16W	63-280
1634 1400	Resistor - 140 $\Omega$ $\pm$ 1% 1/16W	63-281
1634 1400	Resistor - 140 $\Omega$ $\pm$ 1% 1/16W	54-277
1634 1652	Resistor-16.5k $\Omega$ $\pm$ 1% 1/16W	63-282

Part No.	Description	Page and Index No.
1634 1652	Resistor-16.5k $\Omega$ $\pm$ 1% 1/16W	54-278
1634 1741	Resistor-1.74k $\Omega$ $\pm$ 1% 1/16W	63-283
1634 1741	Resistor-1.74k $\Omega$ $\pm$ 1% 1/16W	54-279
1634 1803	Resistor - 180K $\Omega$ $\pm$ 1% 1/16W	54-280
1634 1803	Resistor - 180K $\Omega$ $\pm$ 1% 1/16W	63-284
1634 2002	Resistor - 20K $\Omega$ $\pm$ 1% 1/16W	54-281
1634 2002	Resistor - 20K $\Omega$ $\pm$ 1% 1/16W	63-285
1634 3301	Resistor - 3.3K $\Omega$ $\pm$ 1% 1/16W	63-286
1634 3301	Resistor - 3.3K $\Omega$ $\pm$ 1% 1/16W	54-282
1634 3302	Resistor - 33.0K $\Omega$ $\pm$ 1%	63-287
1634 3302	Resistor - 33.0K $\Omega$ $\pm$ 1%	54-283
1634 3902	Resistor - 39.0k $\Omega$ - $\pm$ 1% - 1/16W	63-288
1634 3902	Resistor - 39.0k $\Omega$ - $\pm$ 1% - 1/16W	54-284
1634 4022	Resistor - 40.2K $\Omega$ $\pm$ 1% 1/16W	54-285
1634 4022	Resistor - 40.2K $\Omega$ $\pm$ 1% 1/16W	63-289
1634 4321	Resistor- 4.32k $\Omega$ $\pm$ 1% 1/16W	63-290
1634 4321	Resistor- 4.32k $\Omega$ $\pm$ 1% 1/16W	54-286
1634 4700	Resistor - 470 $\Omega$ $\pm$ 1% 1/16W	54-287
1634 4700	Resistor - 470 $\Omega$ $\pm$ 1% 1/16W	63-291
1634 6192	Resistor - 61.9 $\Omega$ $\pm$ 1% 1/16W	63-292
1634 6192	Resistor - 61.9 $\Omega$ $\pm$ 1% 1/16W	54-288
1634 6801	Resistor - 6.8K $\Omega$ $\pm$ 1% 1/8W	63-293
1634 6801	Resistor - 6.8K $\Omega$ $\pm$ 1% 1/8W	54-289
1640 0221	Capacitor - 220 $\mu$ F - $\pm$ 20% 10V	63-294
1640 0221	Capacitor - 220 $\mu$ F - $\pm$ 20% 10V	54-290
1640 2221	Capacitor - 220 $\mu$ F - $\pm$ 20% 25V	63-295
1640 2221	Capacitor - 220 $\mu$ F - $\pm$ 20% 25V	54-291
1640 5101	Capacitor - 100 $\mu$ F $\pm$ 20% 50V	54-292
1640 5101	Capacitor - 100 $\mu$ F $\pm$ 20% 50V	63-296
1640 5101	Capacitor - 100 $\mu$ F $\pm$ 20% 50V	69-142
1640 5221	Capacitor - 220 $\mu$ F $\pm$ 20% 50V	67-128
1642 0101	Capacitor - 100 $\mu$ F $\pm$ 20% 50V	63-297
1642 0101	Capacitor - 100 $\mu$ F $\pm$ 20% 50V	54-293
1642 2100	Capacitor - 10 $\mu$ F $\pm$ 20% 25V	63-298
1642 2100	Capacitor - 10 $\mu$ F $\pm$ 20% 25V	54-294

Part No.	Description	Page and Index No.
1643 5100	Capacitor - 10 $\mu$ F $\pm$ 20% 50V	69-143
1643 5100	Capacitor - 10 $\mu$ F $\pm$ 20% 50V	67-129
1643 5229	Capacitor - 2.2 $\mu$ F $\pm$ 20% 50V	67-130
1643 5479	Capacitor- 4 $\mu$ F $\pm$ 20% 50v	69-144
1660 2101	Capacitor - 100pF - $\pm$ 10% - 50V	63-299
1660 2101	Capacitor - 100pF - $\pm$ 10% - 50V	54-295
1660 2120	Capacitor - 12 pF $\pm$ 5% 50V	54-296
1660 2120	Capacitor - 12 pF $\pm$ 5% 50V	63-300
1660 2150	Capacitor - 15pF $\pm$ 5% 50V	54-297
1660 2150	Capacitor - 15pF $\pm$ 5% 50V	63-301
1660 2180	Capacitor 18pF $\pm$ 5% 50V	63-302
1660 2180	Capacitor 18pF $\pm$ 5% 50V	54-298
1660 2181	Capacitor- 180pF $\pm$ 5% 50V	54-299
1660 2181	Capacitor- 180pF $\pm$ 5% 50V	63-303
1660 2330	Capacitor - 33pF - $\pm$ 5% - 50V	54-300
1660 2330	Capacitor - 33pF - $\pm$ 5% - 50V	63-304
1660 2331	Capacitor - 330pF $\pm$ 5% 50V	54-301
1660 2331	Capacitor - 330pF $\pm$ 5% 50V	63-305
1660 2470	Capacitor - 47pF $\pm$ 5% 50V	54-302
1660 2470	Capacitor - 47pF $\pm$ 5% 50V	63-306
1660 2471	Capacitor - 470pF - $\pm$ 5% - 50V	63-307
1660 2471	Capacitor - 470pF - $\pm$ 5% - 50V	54-303
1660 4102	Capacitor - 1000pF $\pm$ 10% 50V	63-308
1660 4102	Capacitor - 1000pF $\pm$ 10% 50V	54-304
1660 4103	Capacitor - 10000pF - $\pm$ 10% - 50V	54-305
1660 4103	Capacitor - 10000pF - $\pm$ 10% - 50V	63-309
1660 4222	Capacitor - 2200pF - $\pm$ 10% - 50V	63-310
1660 4222	Capacitor - 2200pF - $\pm$ 10% - 50V	54-306
1660 4332	Capacitor - 3300pF - $\pm$ 10% - 50V	63-311
1660 4332	Capacitor - 3300pF - $\pm$ 10% - 50V	54-307
1660 5102	Capacitor - 1000pF $\pm$ 10% 50V	69-145
1660 5222	Capacitor - 2200pF $\pm$ 10% 50V	69-146
1660 6103	Capacitor - 10000pF - +80%-20%50V	63-312
1660 6103	Capacitor - 10000pF - +80%-20%50V	54-308
1660 7103	Capacitor - 10000pF 50V	69-147

Part No.	Description	Page and Index No.
1660 7104	Capacitor - 100000pF 50V	63-313
1660 7104	Capacitor - 100000pF 50V	54-309
1660 8104	Capacitor - 0.1μF +80-20% 25V	54-310
1660 8104	Capacitor - 0.1μF +80-20% 25V	63-314
1902 0041	IC - 1M X8 70NS G10	63-315
1902 0041	IC - 1M X8 70NS G10	54-311
1903 1015	DRAM - 16M 1MX16 60ns EDO G8	63-316
1903 1015	DRAM - 16M 1MX16 60ns EDO G8	54-312
1904 0013	SRAM - 256K X8 20ns G2	63-317
1904 0013	SRAM - 256K X8 20ns G2	54-313

Part No.	Description	Page and Index No.
5206 2686	Snap Ring	41- 18
5409 1238	Rotary Catch	47- 14
5466 3198	Washer - SBU	21- 27
5488 6121	NCU Board - NA/TWN	43- 12
5488 6121	NCU Board - NA	67- *
5488 6141	NCU Board - EU	43- 12
5488 6141	PCB - NCU-NE1	69- *